

2149

**ELECTRIC PANIC EXIT LOCK
FOR FIRE DOORS**



PRODUCT:

Iseo type 2149 electric panic exit lock for fire doors along escape routes.

OPERATING:

LOCK 1 - code 214910654..D/S

Inside: latch operated by key and emergency handle or panic bar.
Outside: latch retracted by key and handle, only if enabled with key.

LOCK 2 - code 214910654.CD/CS

Inside: latch operated by key and emergency handle.
Outside: latch retracted by key and handle, only if enabled with key.

When not enabled, the exterior handle remains idle.

RANGE:

1. Lock with latch only (dual square spindle, exterior handle).
2. Panic lock with reverse latch only (dual square spindle and exterior handle with emergency opening function by pulling inward).

STANDARDS:

CE marking certifying product for use on fire resistant doors, in accordance with EN12209:2005 standard, and for use on doors installed along escape routes (fire doors and other doors) in accordance with EN1125 2008 and EN179 2008. Certification issued by IFT for respective marking **U** for German fire door market.

EN179:2008 when combined with handles 0324*, 0325* and Pad.

EN1125:2008 when combined with the Palmo and Idea Base (type A), Push Palmo and Push Infilare (type B) panic exit bars for main and secondary door leaves.

TEXT FOR SPECIFICATIONS:

Iseo type 2149 electric panic exit lock for fire doors compliant with EN12209:2005. Latch protruding 12.5 mm, 9 mm square handle, backset 65 mm, centre distance 72 mm. The electric pulse enables the handle to retract the latch and open the door. For doors installed along escape routes, in accordance with the EN179:2008 standard, use 0324* and 0325* series fire resistant handles. For doors installed along escape routes, in accordance with the EN1125:2008 standard, use Palmo, Palmo Push, Idea Base and Push Infilare certified panic exit bars.

MATCHING ACCESSORIES:

- Heavy flat strike plate 235 x 24 x 3 mm.
- 212* series panic counterlock for double doors.
- 0324* and 0325* series fire resistant handles.
- Pad handles.
- PALMO and PUSH PALMO panic exit bars.
- IDEA BASE and PUSH INFILARE panic exit bars.

ISEO®

TECHNICAL FEATURES

Centre distance:

- 72 mm

Backset:

- 65 mm

Square handle:

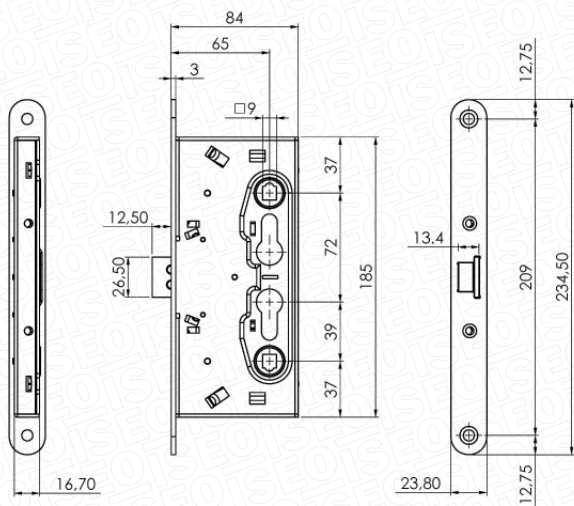
- 9 mm, dual

Power:

- 12 V AC/DC, current absorption
860 mA

HIGHLIGHTS

- Solenoid inside casing, permitting installation of the electric lock in the same recess as a mechanical lock.
- Right or left handed lock (not invertible).
- Flat front, rounded edges, 235 x 24 x 3 mm.
- Lock dimensions 185 x 84 x 17 mm with a fastener screw spacing of 209 mm, for installation in a recess in the door in accordance with the most widely adopted industry standard.
- Works with Euro profile cylinder.



www.iseo.com