

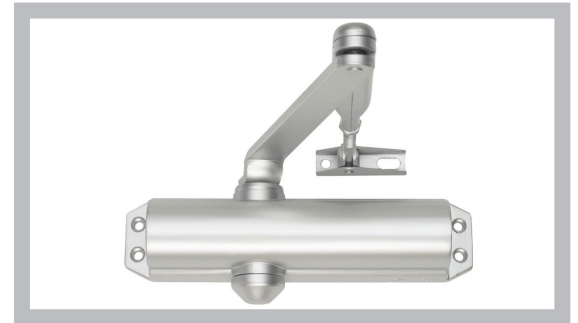
# Door Closer - Surface Mounted DC120

Door Closer

DC120

## ASSA ABLOY DC120:

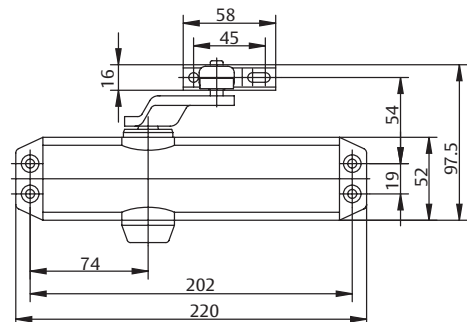
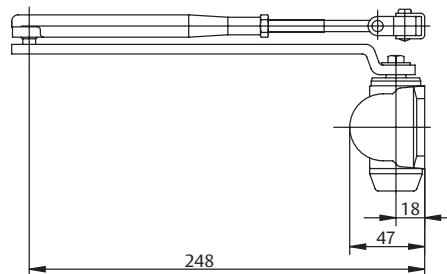
- Rack and Pinion door closer with link arm
- In compliance with EN1154, size EN2/3/4
- For single action doors up to 1100mm



## Characteristics of DC120:

- Can be used for left and right-handed doors
- Suitable for fire and smoke protection doors
- Closing speed, latching speed and back-check continuously adjustable using regulating valves
- Thermodynamic valves for consistent performance
- Closing force configurable
- Opening angle up to 180° (105° in mounting position size EN4)
- Standard colours: Silver EV1; White, similar to RAL9016; Black, similar to RAL9005

CE	ASSA ABLOY	11
	Sicherheitstechnik GmbH Bildstockstraße 20 72458 Albstadt	
1162-CPD-0535	EN 1154:1996+A1:2002 +AC:2006	4 8 2/3/4 1 1 4
Dangerous substances: None		



Door Closer

Technical details  
for DC120

## Technical details:

Closing force	EN2/3/4
Door width up to	1100mm
Fire and smoke protection	Yes
Door swing directions	Left / right handed
Closing speed	Variable between 180°-15°
Latching speed	Variable between 15°-0°
Back-check	Variable above 75°
Weight	1.6kg
Height	52mm
Depth	47mm
Length	220mm
In compliance with	EN1154
CE marking for building products	Yes

**Our service for you:**  
Here you can see the individual advantages of our door closer models for your respective fields of business.

**The advantages at a glance:**

Customer segment	Advantages
Project planners	- Compact design - Favourably priced, reliable closer model
Builders	- Quick and easy installation - Suitable for left and right-handed doors - Easy to adjust
Trade	- Inexpensive closer model for standard doors - All inclusive package with door closer and link arm
User	- Largely unaffected by temperature fluctuation due to thermodynamic valves - Back-check feature offers optimum protection for doors and walls

**Door Closer**  
**Specifications for DC120**

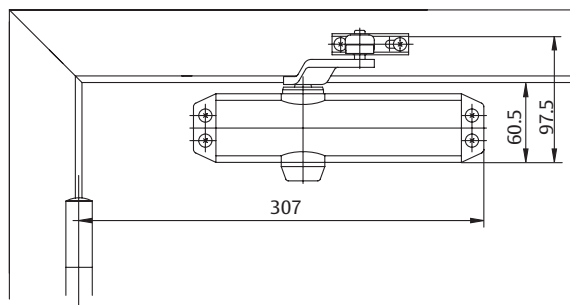
**Specifications for DC120:**

ASSA ABLOY Door Closer DC120 featuring Rack and Pinion technology is in compliance with EN1154.

- Closing force configurable, size EN 2/3/4, for doors up to 1100mm wide
- Closing speed, latching speed and back-check continuously adjustable
- Suitable for fire and smoke protection doors
- CE approved
- Suitable for left and right-handed doors

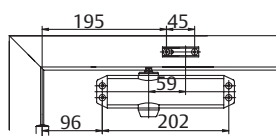
**Required space on doors:**

Left handed shown in diagram, Right handed is the reverse.

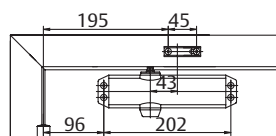


**Colour:**

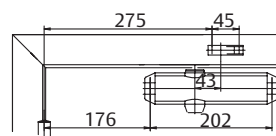
- Silver EV1
- White, similar to RAL9016
- Black, similar to RAL9005



Installation dimensions EN2



Installation dimensions EN3



Installation dimensions EN4