

DC340

Rack and pinion closer with guide rail or link arm



ASSA ABLOY DC340

- Rack and pinion door closer with height-adjustable link arm L190 or guide rail G195/G193
- Certified in compliance with EN1154, size 2-6 with link arm and size 2-4 with guide rail
- Delayed action variant DC340DA certified in compliance with EN1154, size 2-6 with link arm and size 2-4 with guide rail
- Suitable for fire and smoke protection doors
- For single action doors up to 1100 mm wide (guide rail) and 1400 mm (link arm)



Characteristics of DC340

- Can be used with integrated concealed mounting plate, suitable for fire and smoke protection doors
- Can be used for left and right-handed doors
- 14 mm height adjustable arm system for ease of fitting
- Closing speed, latching speed and backcheck adjustable via front facing regulating valves
- Thermodynamic valves for consistent performance
- Variable adjustable closing force
- Opening angle up to 180°
- Large range of applications
- Standard colours: silver EV1; white, similar to RAL9016; brown, similar to RAL8014; black, similar to RAL9005, stainless steel
- Customised finishes available on request

Characteristics of hold open link arm L191

- Hold-open angle adjustable up to 150°
- Hold-open mode can be enabled and disabled as required
- Same installation as link arm
- Cannot be used with fire and smoke protection doors
- Drawings: see drawings at DC347 with link arm

Characteristics of special model DC300DA

- Delayed closing adjustable from front
- Other features as in model DC300

Characteristics of guide rail G195

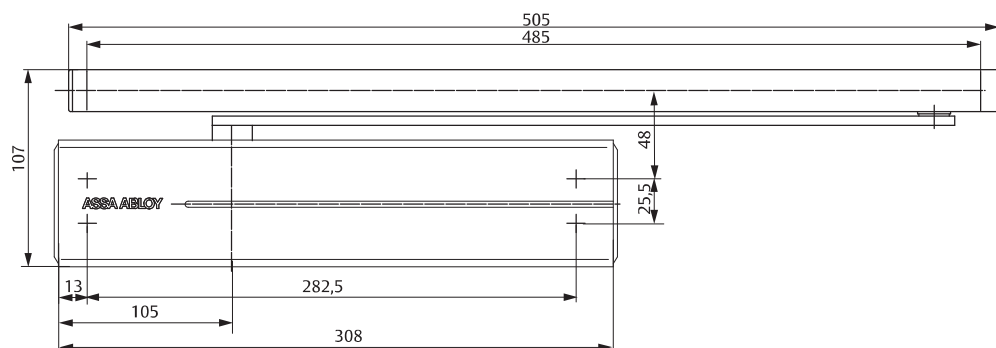
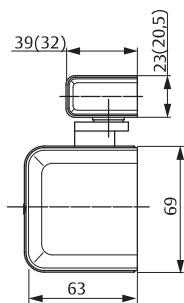
- Height-adjustable by 2 mm for tolerance
- Concealed fastening screws
- Installation dimensions: see diagram

Characteristics of standard guide rail G193

- Without protective cover
- Visible fastening screws
- Installation dimensions: see diagram (dimensions in brackets)

Characteristics of link arm L190

- Opening angle up to 180°



DC340

Technical attributes

Technical attributes	
Door width up to (guide rail / link arm)	1100 mm / 1400 mm
Closing force (guide rail / link arm)	EN 1-4 / EN 2-6
Suitable for fire doors	Yes
Handing	Left / right handed
Closing speed	Variable between 180°-15°
Latching speed	Variable between 15°-0°
Backcheck	Variable above 75°
Delayed action (DC340DA)	Variable 120° - 70°
Weight	2.1 kg
Height	69 mm
Depth	64.5 mm
Length	306 mm
Certified in compliance with	EN 1154
CE marking for building products	Yes

The advantages at a glance

Customer segment	Advantages
Project planners	<ul style="list-style-type: none"> - Extensive range of uses: Fire and smoke protection doors as well as standard doors - Modern design - Compact design - Same dimensions and design with and without mounting plate - Comprehensive functions, standard and optional
Builders	<ul style="list-style-type: none"> - Adjustable to nearly all door and frame types - Quick and easy installation - Quickly and easily adjustable - Suitable for left and right handed doors, in both door and frame mounted applications
Trade	<ul style="list-style-type: none"> - One single product suitable for a large variety of mounting positions - Complementary accessories available for the whole product range
User	<ul style="list-style-type: none"> - Largely unaffected by temperature fluctuations thanks to thermodynamic valves - Backcheck feature offers optimum protection for doors and walls

Our service for you: here you can see the individual advantages of our door closer models for your respective field of business.

You can find the complete specification on the internet at: www.assaabloy.de

Specifications for DC340

ASSA ABLOY Door Closer DC340 featuring rack and pinion technology in compliance with EN 1154

- Closing power continuously adjustable, EN size 1-4, for doors up to 1100 mm wide
- Closing speed, latching speed and backcheck adjustable via front facing regulating valves
- Delayed action available for DC340DA
- Can be used with integrated concealed mounting plate, suitable for fire and smoke protection doors
- CE approved
- 14 mm height adjustable arm system for ease of fitting
- Suitable for left and right handed doors

Accessories:

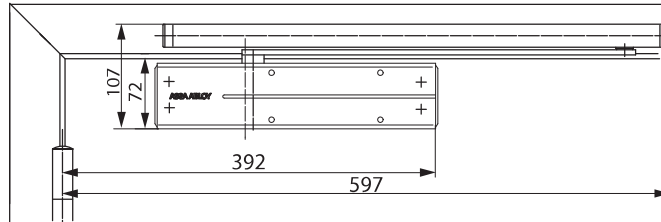
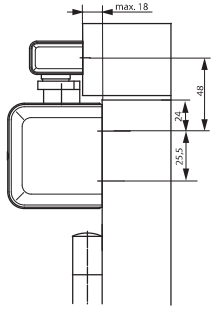
- Standard guide rail G193
- Height-adjustable guide rail G195
- Link arm L190
- Hold-open link arm L191 (Cannot be used with fire and smoke protection doors)
- Mounting plate A126
- Angle bracket A107
- Mounting plate A130 for guide rail G193 and G195
- Angle bracket A104 for guide rail G193
- Mechanical opening damper A153
- Mechanical hold-open device A152 (not for fire and smoke protection doors)

Colour:

- Silver EV1
- White, similar to RAL9016
- Brown, similar to RAL8014
- Black, similar to RAL9005
- Stainless steel
- Customised finish

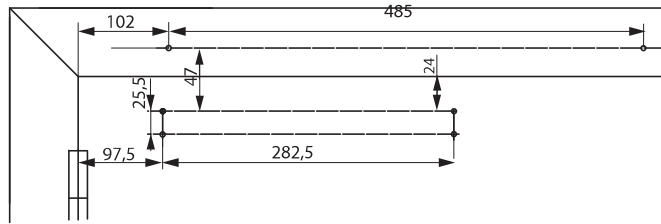
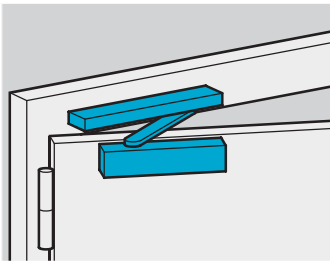
DC340

Dimensional drawings



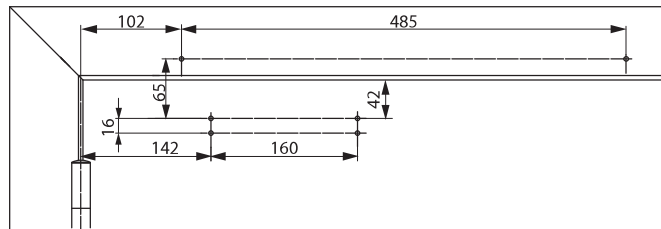
Required space on doors

Left handed shown in diagram
Right handed is the reverse



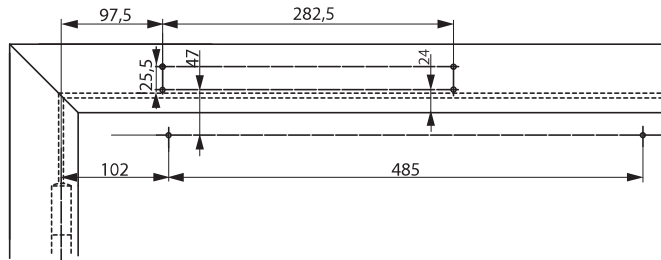
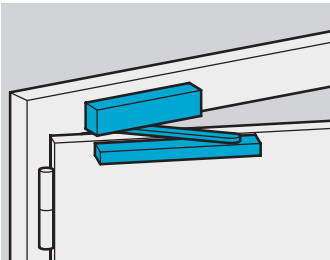
Installation dimensions for direct mounting

Left handed shown in diagram
Right handed is the reverse



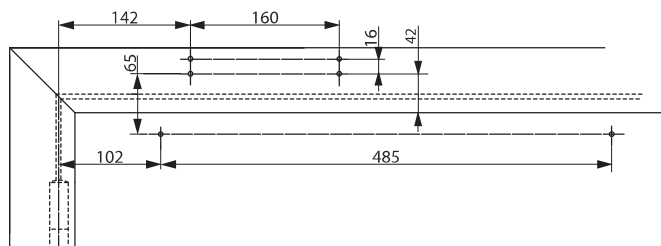
Installation dimensions with mounting plate

In compliance with EN 1154, Supplement 1, or for doors where direct mounting is not possible.
Left handed shown in diagram
Right handed is the reverse



Frame mounting

Closer on hinge side of door frame.
Left handed shown in diagram
Right handed is the reverse

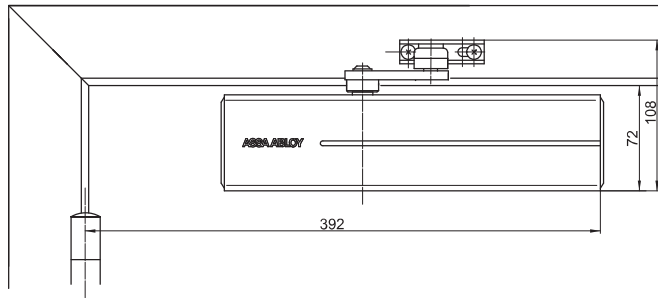
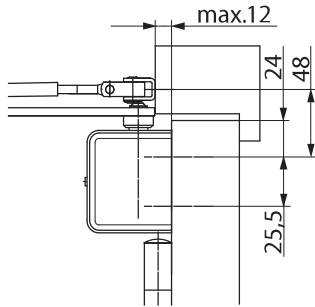


Installation dimensions with mounting plate for frame mounting

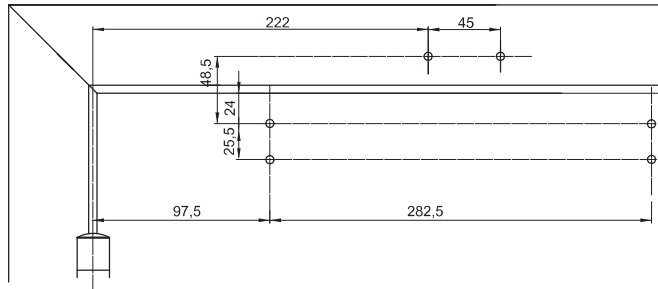
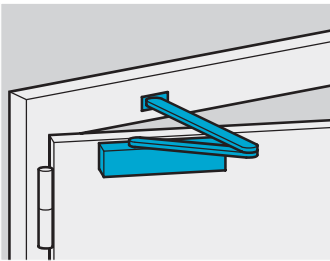
Closer on non-hinge side of door frame. For doors where direct mounting is not possible.
Left handed shown in diagram
Right handed is the reverse

DC340

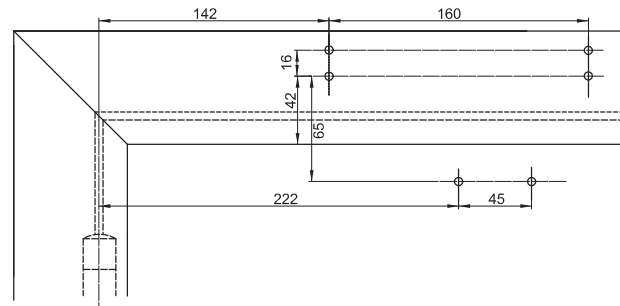
Dimensional drawings



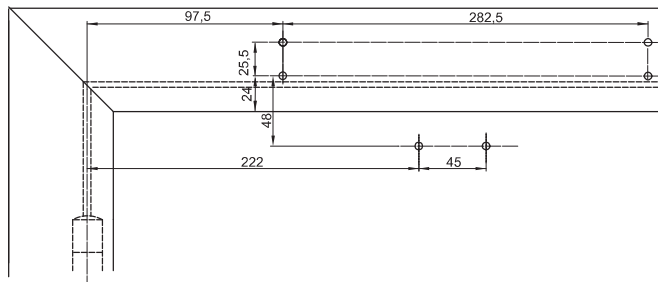
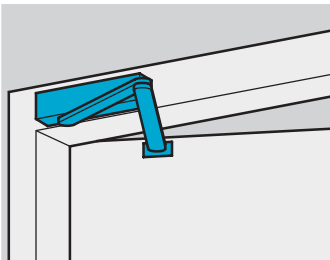
Regular door mounting
 Left handed door shown in diagram
 Right handed is the reverse



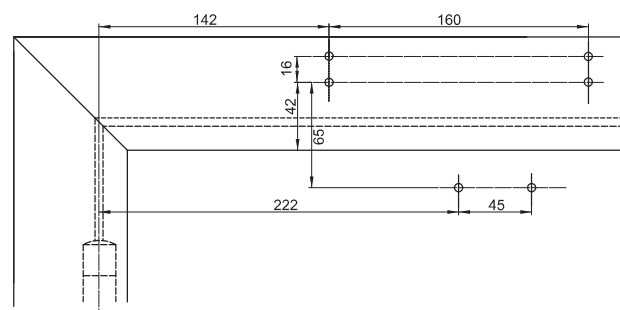
Installation dimension for direct mounting
 Left handed shown in diagram
 Right handed is the reverse



Installation dimensions with mounting plate
 In compliance with EN 1154, Supplement 1, or for doors where direct mounting is not possible.
 Right handed door shown in diagram
 Left handed door is the reverse



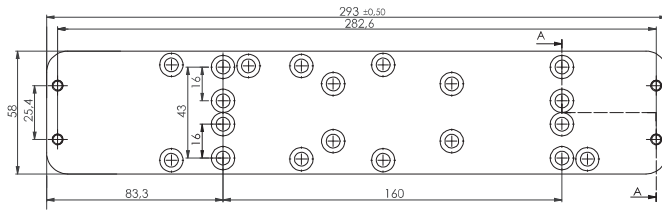
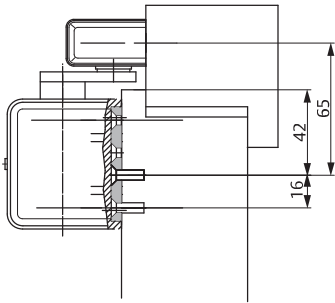
Frame mounting
 Closer on non-hinge side of door frame
 Right handed door shown in diagram
 Left handed door is the reverse



Installation dimensions with mounting plate for frame mounting
 Closer on non-hinge side of door frame. For doors where direct mounting is not possible.
 Right handed door shown in diagram
 Left handed door is the reverse

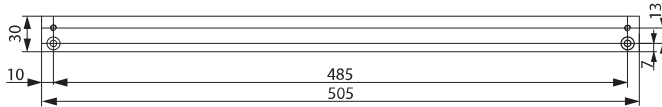
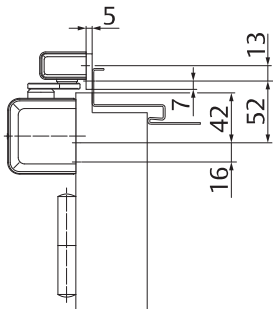
DC340

Accessories



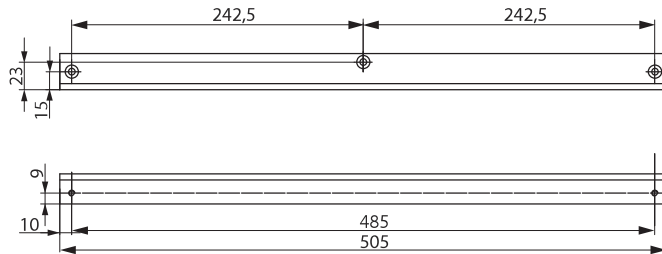
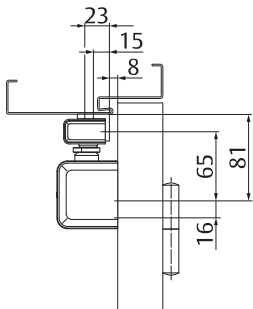
Mounting plate A126

For mounting with drilling template acc. to EN 1154 Supplement 1 (fire and smoke protection doors) and for universal use



Mounting plate A130

For guide rail G193 and G195



Angle bracket A104

Only for standard guide rail G193

Stainless steel full cover

For DC340 and DC347



Stainless steel design cover

For DC340 and DC347

