

DC135

Rack and pinion door closer with guide rail for single leaf doors, size 3



DC135, silver, EV1

The DC135 is an economic and compact rack and pinion door closer with guide rail. With its modern design and choice of finishes, it blends seamlessly into any environment. The DC135 comes complete with body and guide rail.

- Certified in compliance with EN 1154, size 3
- Suitable for fire and smoke protection doors
- For single leaf doors up to 950 mm width

Colours

- Silver, EV1
- White, similar to RAL 9016
- Black, similar to RAL 9005

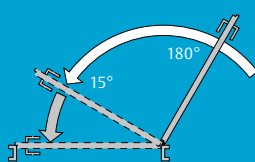
Features

- Can be used for left- and right-handed doors
- Closing and latch speeds can be raised and lowered independently
- Durable, front-facing metal valves make adjustments easy and reliable
- Consistent performance in a wide range of temperatures
- Backcheck functionality as standard protects frame and surrounding areas

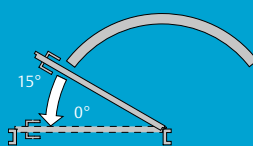
Accessories

- **A187** mounting plate for door closer
- **A152** mechanical hold-open device with adjustable hold-open force, keeps doors open at an angle between 80° and 130° (not approved for use on fire and smoke protection doors)
- **A153** mechanical opening damper, continuously adjustable up to an opening angle of max. 130° (does not replace door stop)

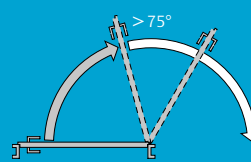
Independent adjustment via front-facing valves



Closing speed (S)



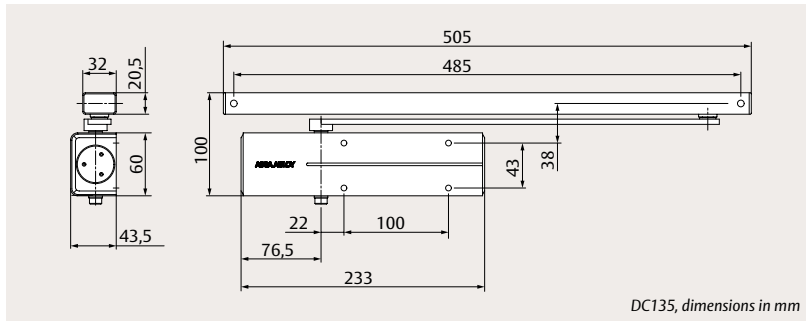
Latch speed (L)



Backcheck (BC)

DC135

Technical attributes and certification



Technical attributes

Closing force	EN size 3
Maximum leaf width	950 mm
Closing speed (S)	Variable between 180° and 15°
Latch speed (L)	Variable between 15° and 0°
Backcheck (BC)	Variable above 75°
Maximum opening angle	~180°
Door system	Single leaf
Handing	Left- / right-handed
Mounting options	Leaf mounting on hinge-side Frame mounting on non-hinge side
Force adjustment	No
Height adjustment	No
Corrosion resistance	Grade 3 (96 hours)
Dimensions (H x D x L)	60 x 44 x 233 mm



Visit assaabloy.com to download all relevant product literature



Certification and testing

Certified in compliance with	EN 1154
CE classification	4 8 3 1 1 4
CE / UKCA mark	Yes
Suitable for fire and smoke protection doors	Yes
Third-party verified EPD	ISO 14025, EN 15804

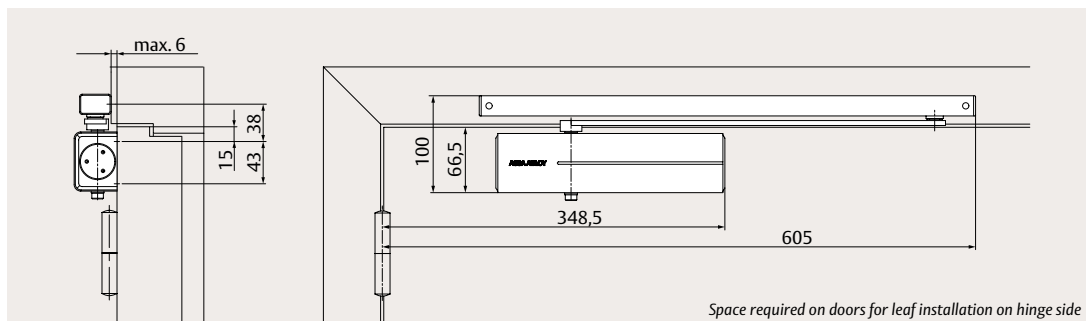


DC135

Space requirement and mounting dimensions

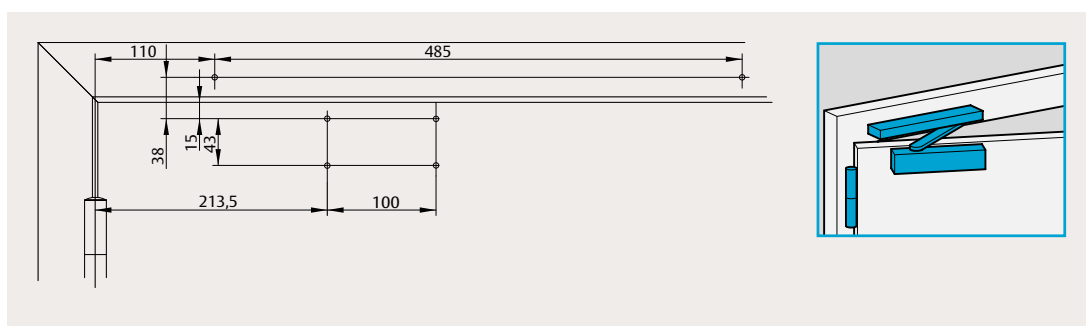


Scan the QR code to watch the installation video



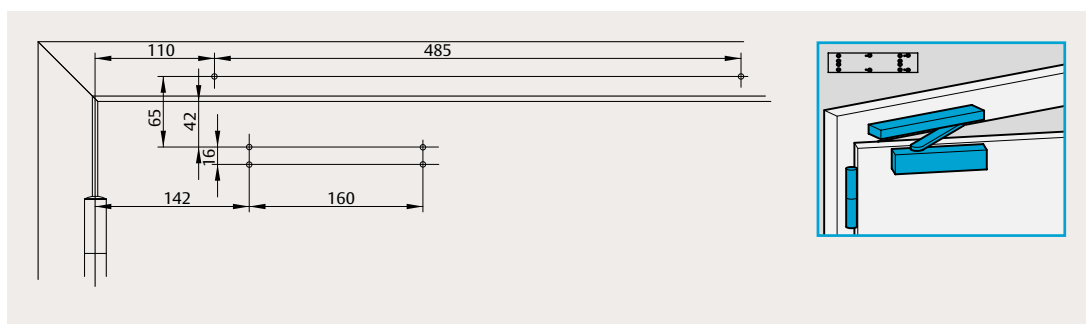
Direct leaf mounting on hinge side

The drawing illustrates installation on left-handed doors. For right-handed doors, it is the reverse.



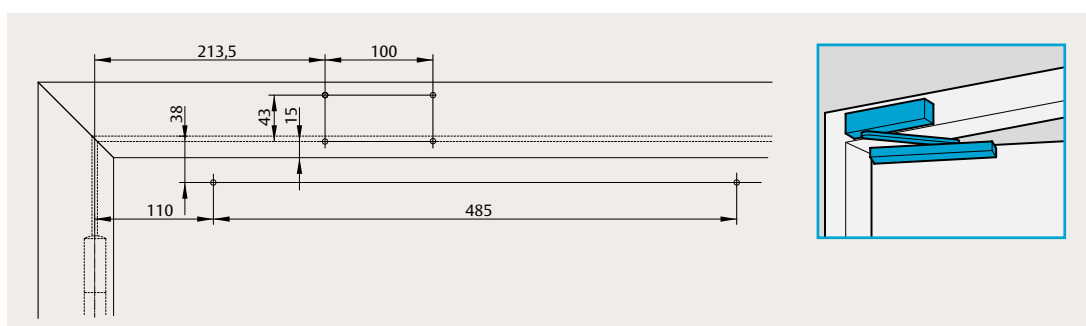
Mounting plate leaf mounting on hinge side; in compliance with DIN EN 1154, supplement 1

The drawing illustrates installation on left-handed doors. For right-handed doors, it is the reverse.



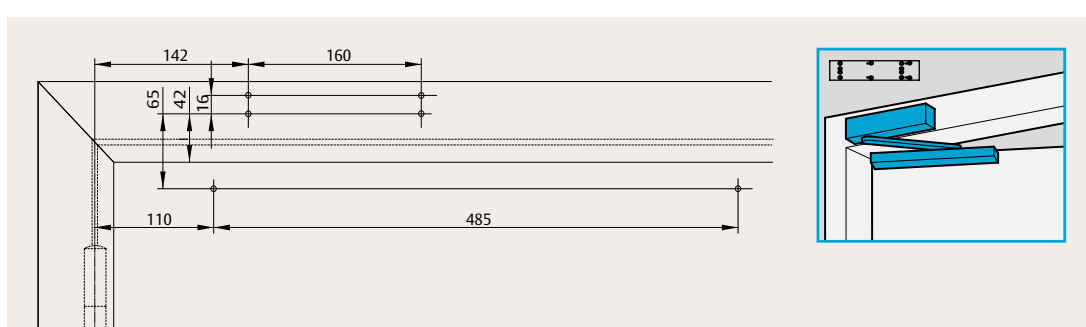
Direct frame mounting on non-hinge side

The drawing illustrates installation on right-handed doors. For left-handed doors, it is the reverse.



Mounting plate frame mounting on non-hinge side

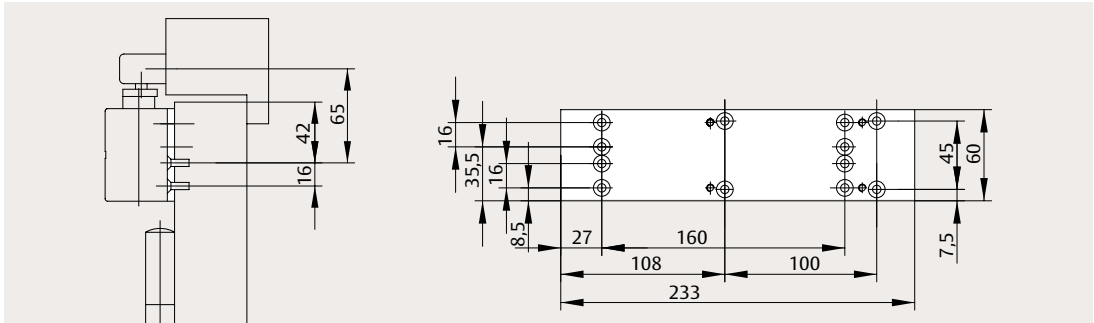
The drawing illustrates installation on right-handed doors. For left-handed doors, it is the reverse.



DC135

Accessories and order information

A187 mounting plate for door closer



Door closers

DC135, EN size 3, silver, EV1	DC135-----DEV1-
DC135, EN size 3, white, similar to RAL 9016	DC135-----D9016
DC135, EN size 3, black, similar to RAL 9005	DC135-----D9005

Accessories

Mounting plate A187, silver, EV1	DCA187-----EV1-
Mounting plate A187, white, similar to RAL 9016	DCA187-----9016
Mounting plate A187, black, similar to RAL 9005	DCA187-----9005
Mechanical hold-open device A152	DCA152-----
Mechanical opening damper A153	DCA153-----

DC135, silver



DC135, white



DC135, black



A187



A152



A153

