

DC175

Door closer with Cam-Motion® technology and guide rail – for single leaf doors, size 3/4



DC175, silver, EV1

Cam-Motion® technology creates rapidly decreasing opening force without losing fire or smoke protection compliance

The DC175 is our smallest Cam-Motion door closer. With its compact design, it's the ideal choice for lightweight doors and fits into a variety of architectural styles. The rapidly decreasing opening force of Cam-Motion technology ensures doors open with less effort.

- Certified in compliance with EN 1154, size 3/4
- Suitable for fire and smoke protection doors
- For single leaf doors up to 1100 mm width
- Barrier-free according to DIN 18040 and CEN/TR 15894

Colours

- Silver, EV1
- White, similar to RAL 9016
- Black, similar to RAL 9005

Features

- Symmetric cam design allows 4 mounting options
- Closing and latch speeds can be raised and lowered independently
- Durable, front-facing metal valves make adjustments easy and reliable
- Consistent performance in a wide range of temperatures
- Simplified stock management with universal parts and adaptable solutions

Accessories

- **A278** mechanical hold-open device, with adjustable hold-open force, keeps doors open at an angle between 50° and 100° (not approved for use on fire and smoke protection doors)
- **A279** mechanical opening damper, continuously adjustable up to an opening angle of max. 100° (does not replace door stop)
- **A280** mounting plate for door closer

Four mounting options with one product



Leaf mounting on hinge side



Frame mounting on hinge side



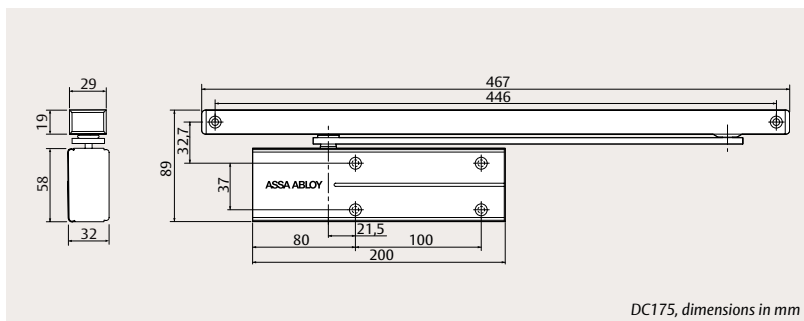
Leaf mounting on non-hinge side



Frame mounting on non-hinge side

DC175

Technical attributes and certification



DC175, dimensions in mm



Technical attributes

Closing force	EN size 3/4 (non-hinge side EN size 3)
Maximum leaf width	1100 mm
Closing speed (C)	Variable between 160° and 15°
Latch speed (L)	Variable between 15° and 0°
Maximum opening angle	~160°/110° (hinge side / non-hinge side)
Door system	Single leaf
Handing	Left- / right-handed
Mounting options	Leaf or frame mounting Hinge or non-hinge side
Force adjustment	No
Height adjustment	No
Corrosion resistance	Grade 3 (96 hours)
Dimensions (H x D x L)	58 x 32 x 200 mm



Visit assaabloy.com to download all relevant product literature

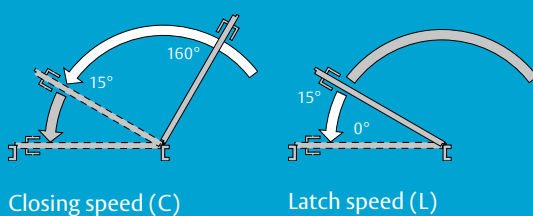


Certification and testing

Certified in compliance with	EN 1154
CE classification	3 8 3/4 1 1 3
CE / UKCA mark	Yes
Suitable for fire and smoke protection doors	Yes
Barrier-free according to	CEN/TR 15894 DIN 18040
Third-party verified EPD	ISO 14025, EN 15804



Independent adjustment via front-facing valves



Closing speed (C)

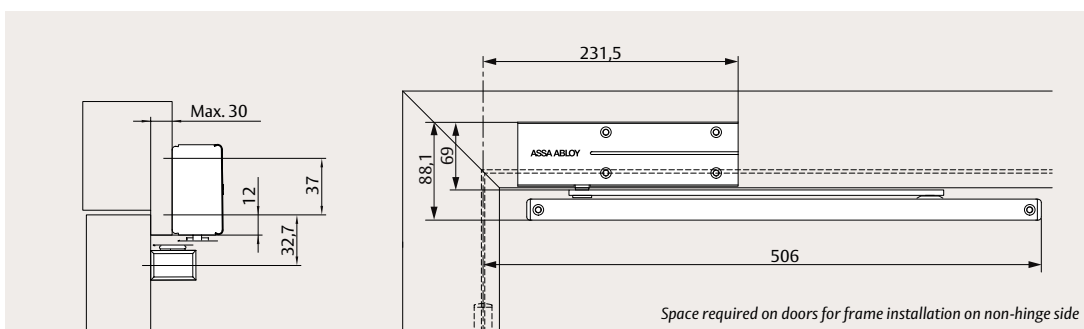
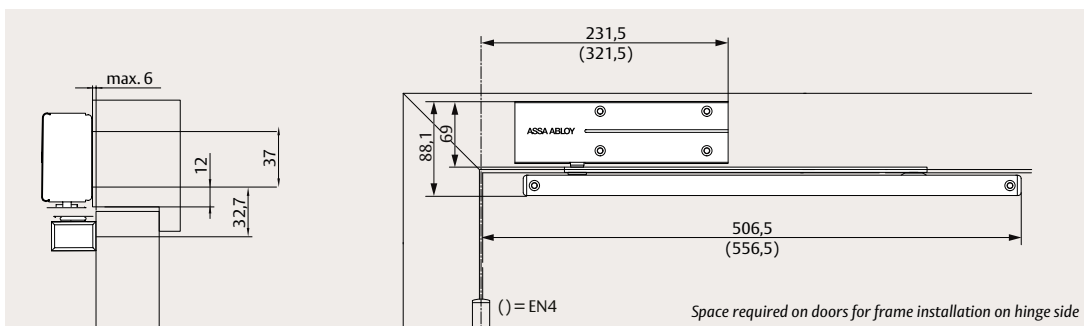
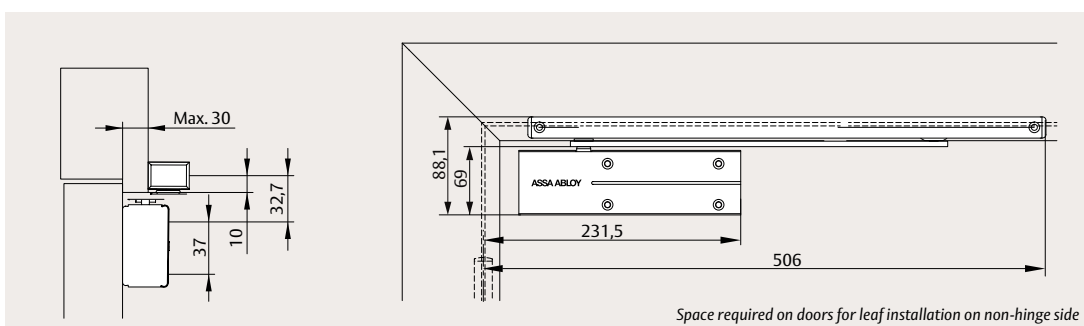
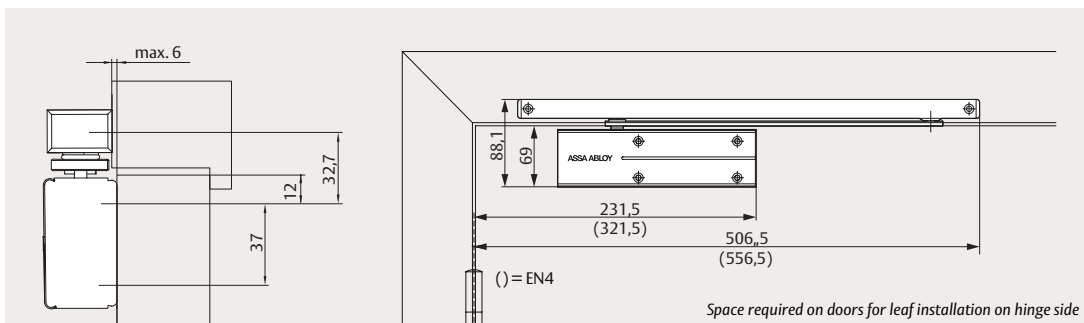
Latch speed (L)

DC175

Space requirement



Scan the QR code
to watch the
installation video

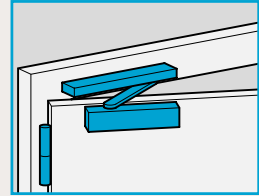
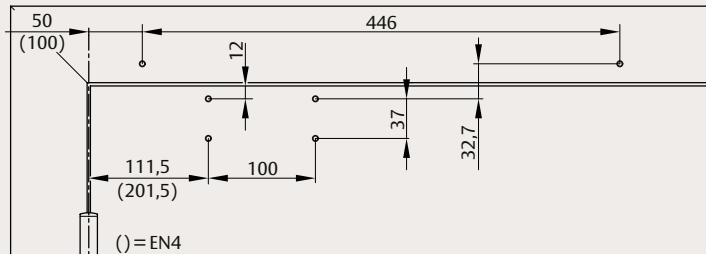


DC175

Mounting dimensions

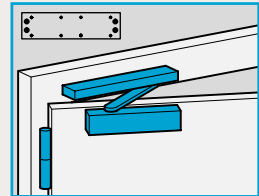
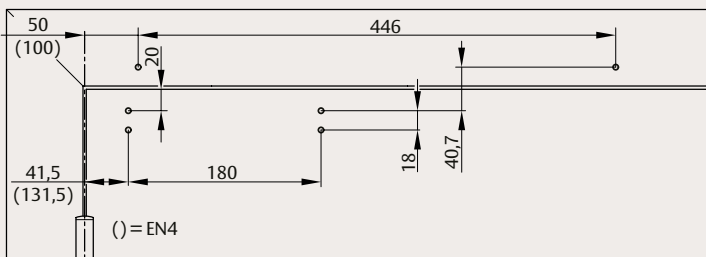
Direct leaf mounting on hinge side

The drawing illustrates installation on left-handed doors. For right-handed doors, it is the reverse.



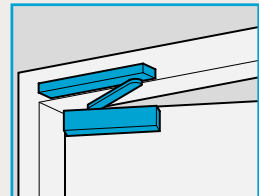
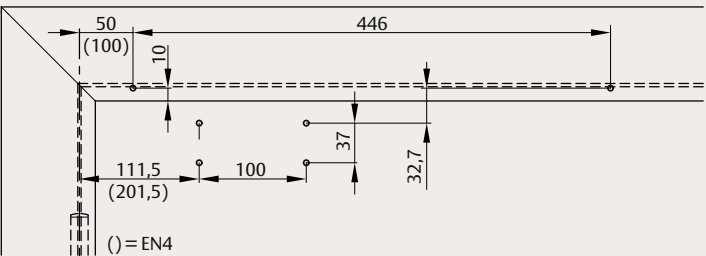
Mounting plate leaf mounting on hinge side

The drawing illustrates installation on left-handed doors. For right-handed doors, it is the reverse.



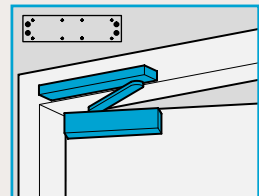
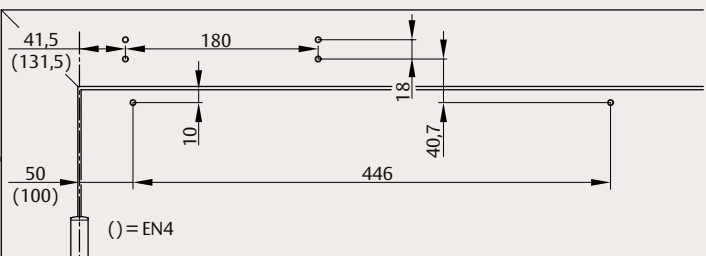
Direct leaf mounting on non-hinge side

The drawing illustrates installation on right-handed doors. For left-handed doors, it is the reverse.



Mounting plate leaf mounting on non-hinge side

The drawing illustrates installation on right-handed doors. For left-handed doors, it is the reverse.

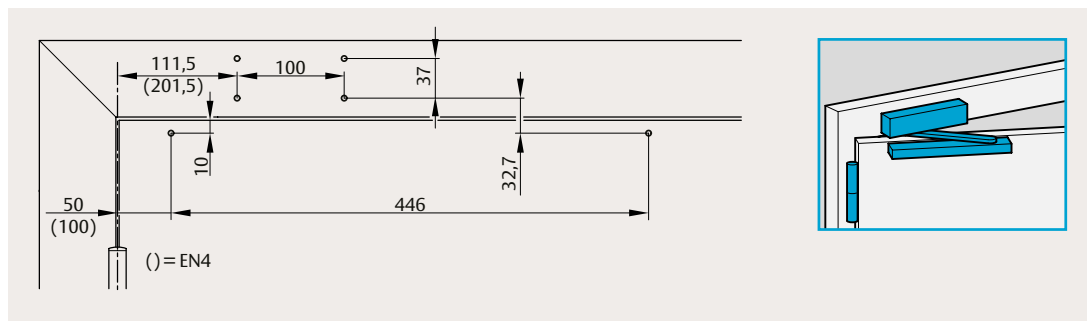


DC175

Mounting dimensions

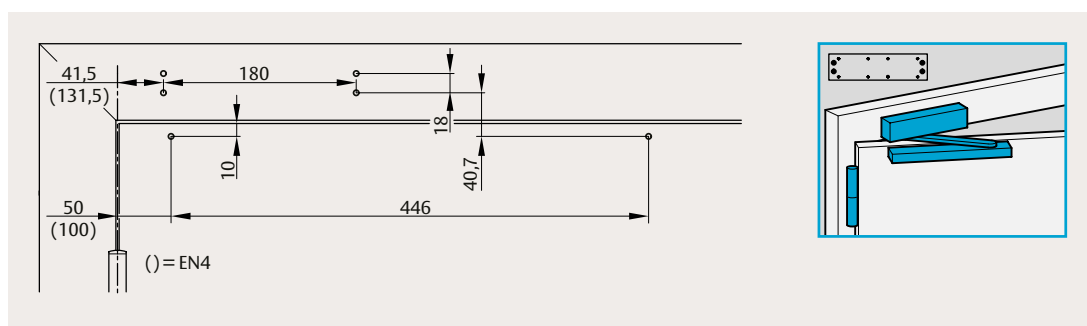
Direct frame mounting on hinge side

The drawing illustrates installation on left-handed doors. For right-handed doors, it is the reverse.



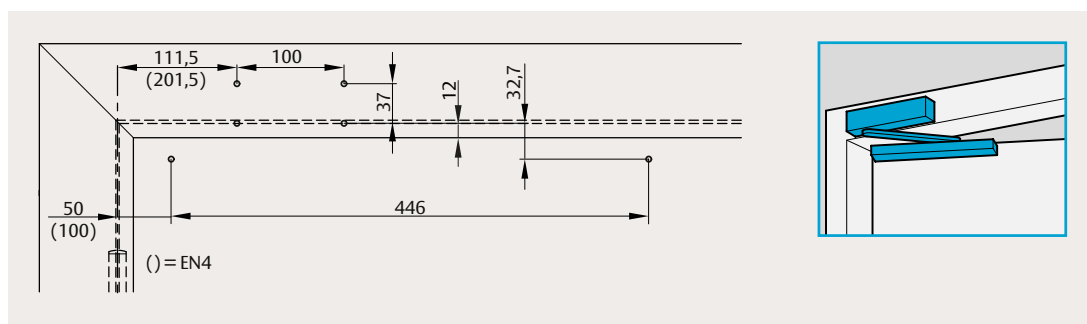
Mounting plate frame mounting on hinge side

The drawing illustrates installation on left-handed doors. For right-handed doors, it is the reverse.



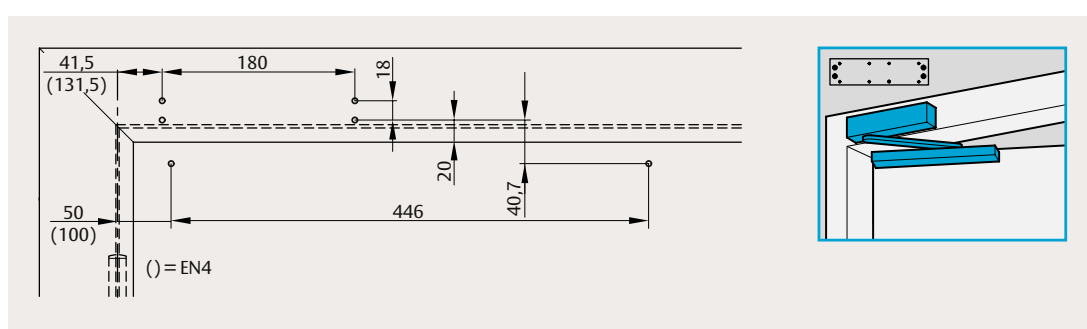
Direct frame mounting on non-hinge side

The drawing illustrates installation on right-handed doors. For left-handed doors, it is the reverse.



Mounting plate frame mounting on non-hinge side

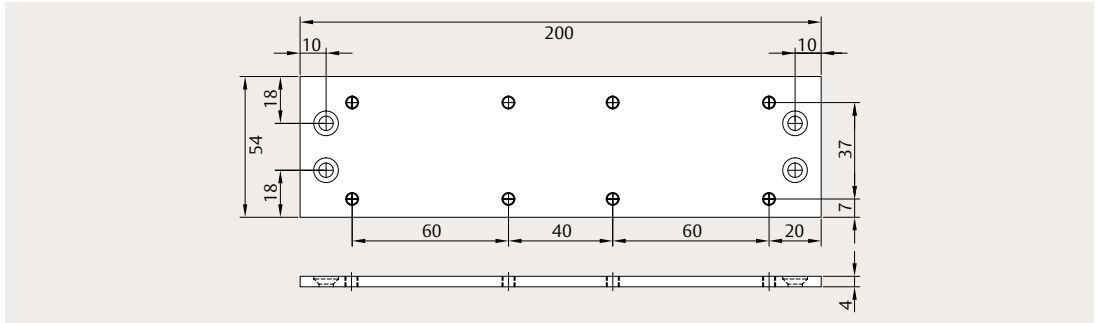
The drawing illustrates installation on right-handed doors. For left-handed doors, it is the reverse.



DC175

Accessories and order information

A280 mounting plate
for door closer



Door closers

DC175, EN size 3/4, silver, EV1	DC175-----EV1-
DC175, EN size 3/4, white, similar to RAL 9016	DC175-----9016
DC175, EN size 3/4, black, similar to RAL 9005	DC175-----9005

Accessories

Mounting plate A280, silver, EV1	DCA280-----EV1-
Mounting plate A280, white, similar to RAL 9016	DCA280-----9016
Mounting plate A280, black, similar to RAL 9005	DCA280-----9005
Mechanical hold-open device A278	DCA278-----
Mechanical opening damper A279	DCA279-----

DC175, silver



DC175, white



DC175, black



A280, black



A278



A279

