

# DC300

## Rack and pinion door closer with link arm



### ASSA ABLOY DC300

- Rack and pinion closer with link arm L190
- Certified in compliance with EN 1154, size 3-6
- Suitable for fire and smoke protection doors
- For single action doors up to 1400 mm wide

### Characteristics of DC300

- Can be used with integrated concealed mounting plate, suitable for fire and smoke protection doors
- Can be used for left and right-handed doors
- Axis height-adjustable up to 14 mm
- Closing speed, latching speed and backcheck adjustable via front facing regulating valves
- Thermodynamic valves for consistent performance
- Variable adjustable closing force
- Opening angle up to 180°
- Effective backcheck and latching speed range adjustable
- Accessories for established installation types
- Large range of applications
- Standard colours: silver EV1; white, similar to RAL9016; brown, similar to RAL8014; black, similar to RAL9005
- Customised finishes available on request



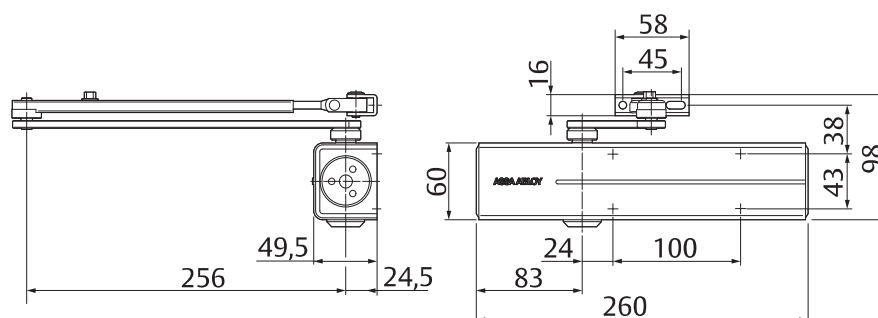
CE	ASSA ABLOY Sicherheitstechnik GmbH Blüschengasse 20 72459 Albstadt	16
	EN 1154:1996/A1:2002 1121-CPR-AD5246	
DC300	4 8 6 1 1 4	
Dangerous substances: None		

### Characteristics of special model DC300DA

- Delayed closing adjustable from front
- Other features as in model DC300

### Characteristics of hold open link arm L191

- Hold-open angle adjustable up to 150°
- Hold-open mode can be enabled and disabled as required
- Same installation as link arm
- Cannot be used with fire and smoke protection doors



# DC300

## Technical attributes

Technical attributes	
Closing force	EN 3-6
Door width up to	1400 mm
Suitable for fire doors	Yes
Handing	Left / right handed
Closing speed	Variable between 180°-15°
Latching speed	Variable between 15°-0°
Backcheck	Variable above 75°
Delayed closing	No
Hold-open mode (with hold-open link arm L191)	Adjustable 75°-150°, can be enabled and disabled
Weight	1.9 kg
Height	60 mm
Depth	50 mm
Length	260 mm
Certified in compliance with	EN 1154
CE marking for building products	Yes

### The advantages at a glance

Customer segment	Advantages
Project planners	<ul style="list-style-type: none"> <li>- Extensive range of uses: Fire and smoke protection doors as well as standard doors</li> <li>- Modern design</li> <li>- Compact design</li> <li>- Fulfills barrier-free building requirements</li> <li>- Same dimensions and design with and without mounting plate</li> <li>- Comprehensive functions, standard and optional</li> </ul>
Builders	<ul style="list-style-type: none"> <li>- One drilling template overall</li> <li>- Adjustable to nearly all door and frame types</li> <li>- Quick and easy installation</li> <li>- Quickly and easily adjustable</li> <li>- Suitable for left and right handed doors, in both door and frame mounted applications</li> </ul>
Trade	<ul style="list-style-type: none"> <li>- Reduced inventory costs due to modular product range</li> <li>- One single product suitable for a large variety of mounting positions</li> <li>- Complementary accessories available for the whole product range</li> </ul>
User	<ul style="list-style-type: none"> <li>- Largely unaffected by temperature fluctuations thanks to thermodynamic valves</li> <li>- Easier door opening and improved accessibility due to rapidly decreasing torque</li> <li>- Backcheck feature offers optimum protection for doors and walls</li> </ul>

Our service for you: here you can see the individual advantages of our door closer models for your respective field of business.

### Specifications for DC300

ASSA ABLOY Door Closer DC300 featuring rack and pinion technology in compliance with EN 1154

- Closing power adjustable, EN size 3-6, for doors up to 1400 mm wide
- Closing speed, latching speed and backcheck adjustable via front facing regulating valves
- Can be used with integrated concealed mounting plate, suitable for fire and smoke protection doors
- CE approved
- 14 mm height adjustable arm system for ease of fitting
- Suitable for left and right handed doors

### Accessories:

- Link arm L190
- Hold-open link arm L191 (Cannot be used with fire and smoke protection doors)
- Mounting plate A120
- Angle bracket A123
- Parallel arm bracket for parallel arm mounting A154
- Glass door shoe A165
- Full stainless steel cover A173

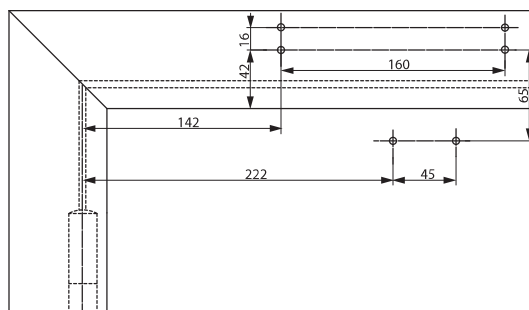
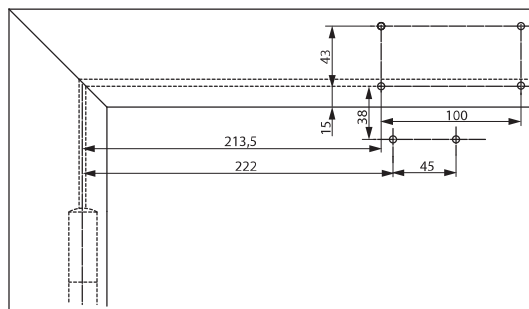
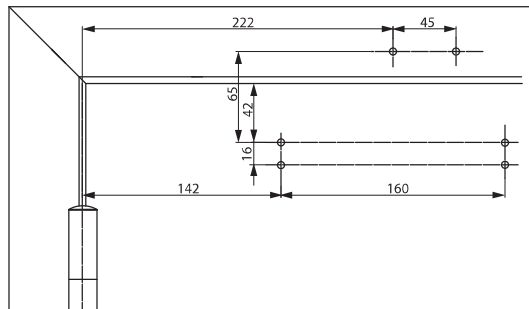
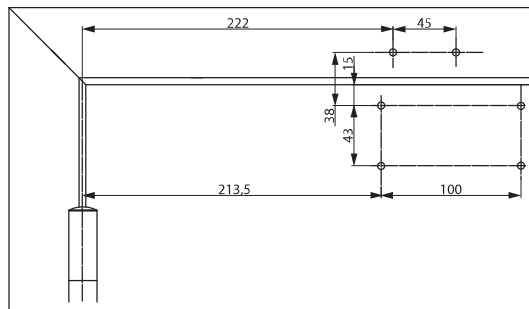
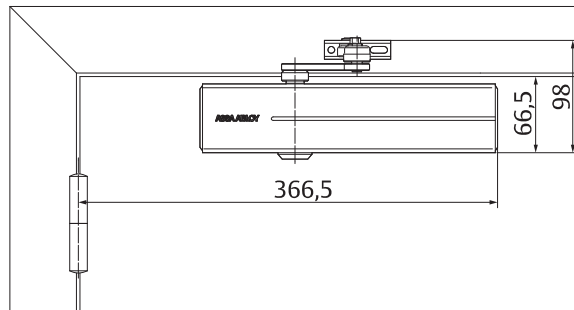
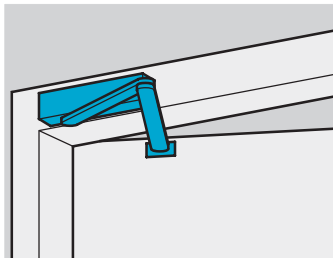
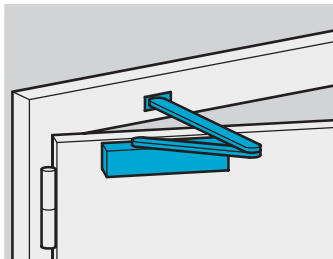
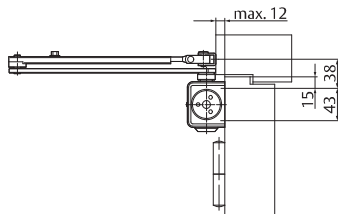
### Colour:

- Silver EV1
- White, similar to RAL9016
- Brown, similar to RAL8014
- Black, similar to RAL9005
- Customised finish

You can find the complete specification on the internet at: [www.assaabloy.de](http://www.assaabloy.de)

# DC300

## Dimensional drawings



### Required space on doors

Left handed shown in diagram  
Right handed is the reverse

### Installation dimensions for direct mounting

Left handed shown in diagram  
Right handed is the reverse

### Installation dimensions with mounting plate

In compliance with EN 1154, Supplement 1, or for doors where direct mounting is not possible.  
Left handed shown in diagram  
Right handed is the reverse

### Frame mounting

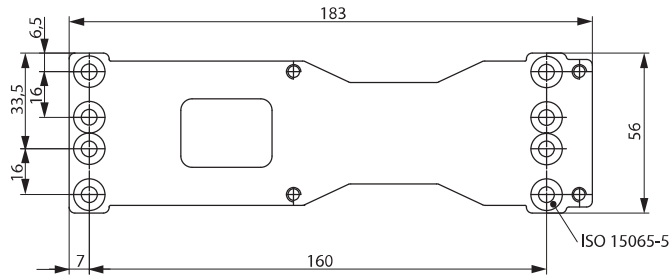
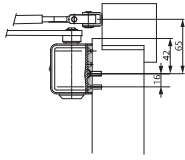
Closer on non-hinge side of door frame  
Right handed door shown in diagram  
Left handed door is the reverse

### Installation dimensions with mounting plate for frame mounting

Closer on non-hinge side of door frame. For doors where direct mounting is not possible.  
Right handed door shown in diagram  
Left handed door is the reverse

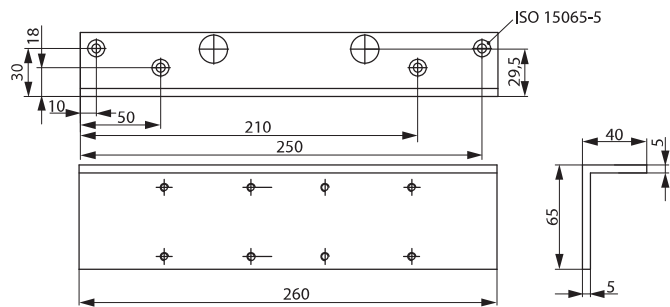
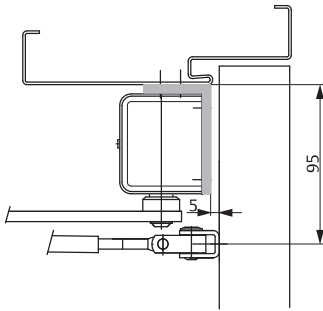
# DC300

## Accessories



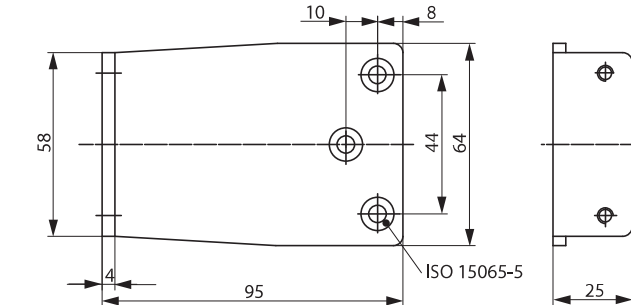
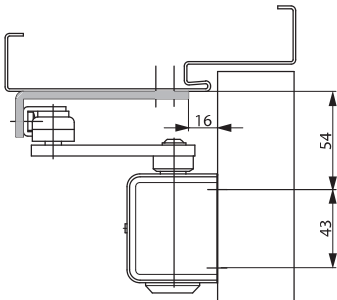
### Mounting plate A120

For mounting with drilling template acc. to EN 1154 Supplement 1 (fire and smoke protection doors) and for universal use



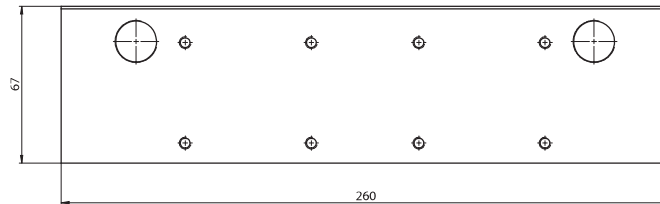
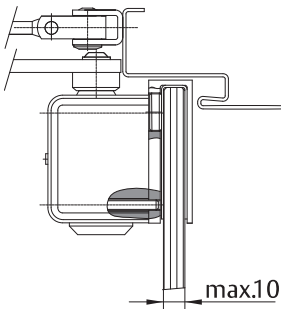
### Angle bracket A123

For frame mounting in case of deep jamb, head-room reduced by 70 mm. Check suitability for use on fire and smoke protection doors.



### Parallel arm bracket A154

For Parallel Arm installation. Check suitability for use on fire and smoke protection doors.



### Glass door shoe A165

For mounting the door closer on the all-glass door leaf.