

## Rockwood 1700 Universal Coordinator

Experience a safer  
and more open world

For Installation Assistance, Call Rockwood Products at 800-458-2424 • [www.assaabloydooraccessories.us](http://www.assaabloydooraccessories.us)

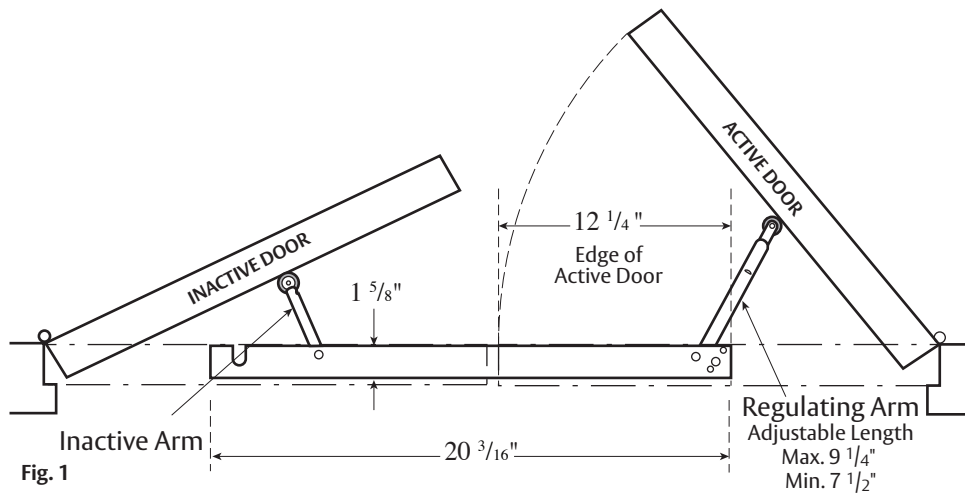


Fig. 1

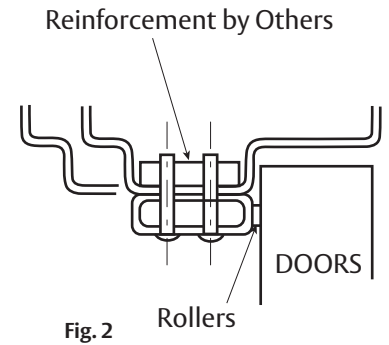
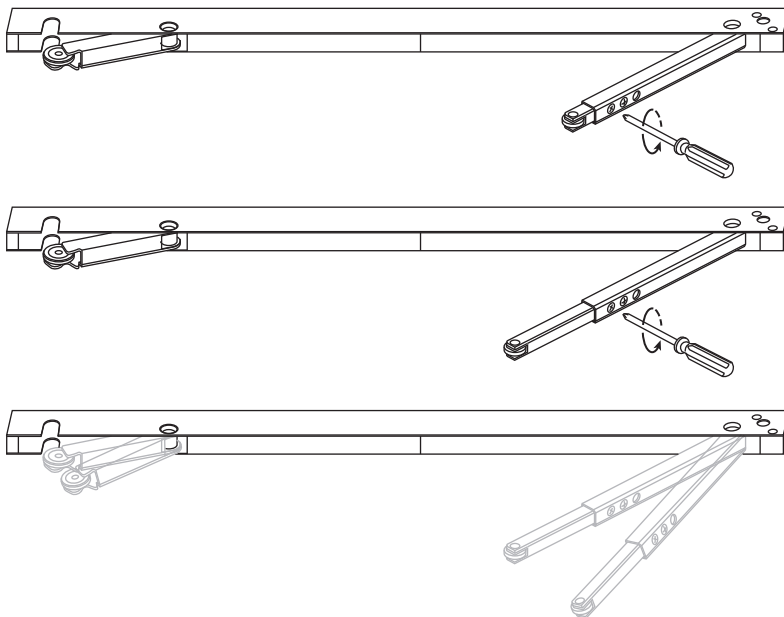


Fig. 2

Spot (four) Holes in Door Stop for #10-24 Machine Screws or #10 Wood Screws

Easily adjust arm lengths and angles for multiple door sizes.



### #1100 Carry Open Bar (Optional)

This item can be supplied in situations which can allow the inactive door to open before the active door. The carry bar will throw the active door open, and allow the coordinator to engage both doors, and coordinate them to close correctly. The carry bar is not needed when the inactive door is equipped with flush bolts.

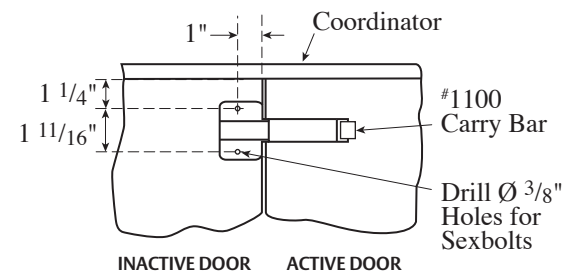


Fig. 3

1. Before spotting holes, inactive (short) arm must be oriented with inactive door prep frame (Fig. 1).
2. Mount coordinator with (4) #10-24 machine screws or (4) #10 wood screws (Fig. 1 & 2).
3. Install carry bar when required (Fig. 3).

NOT TO SCALE