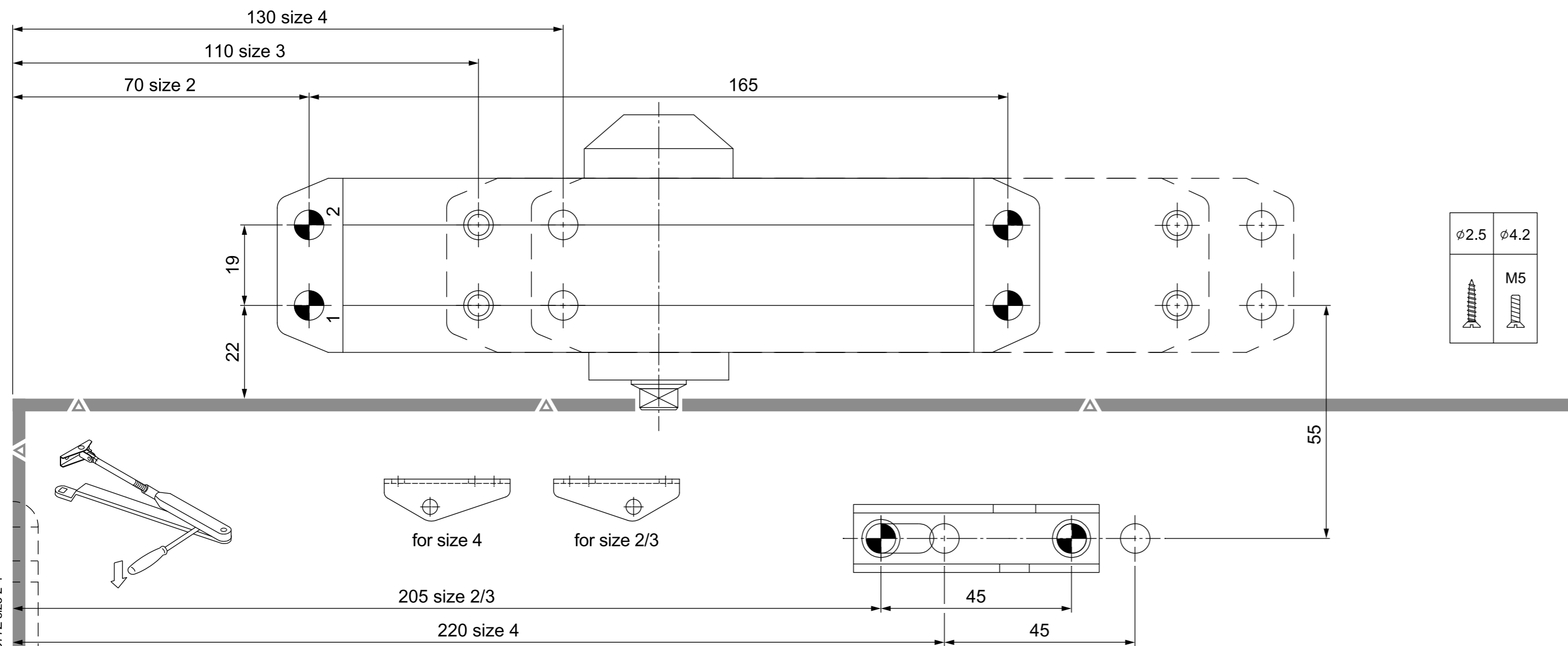
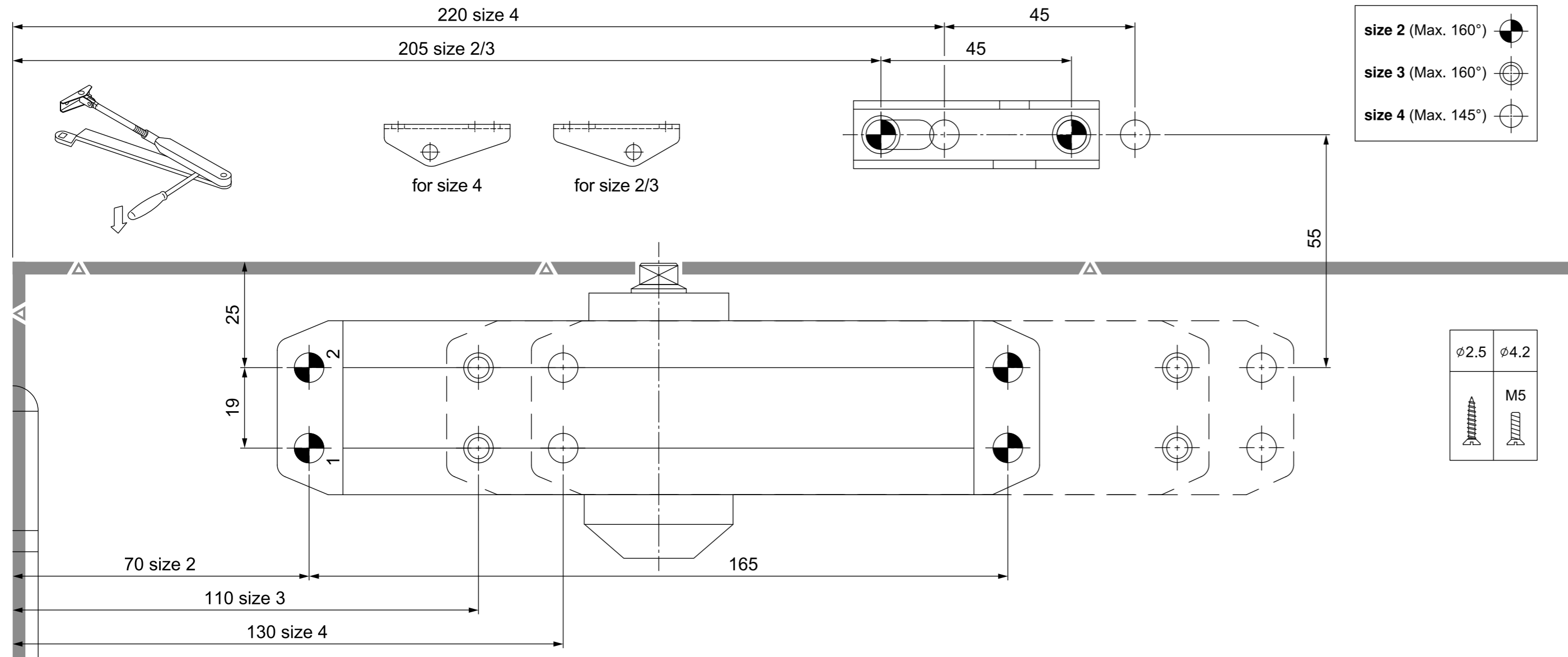
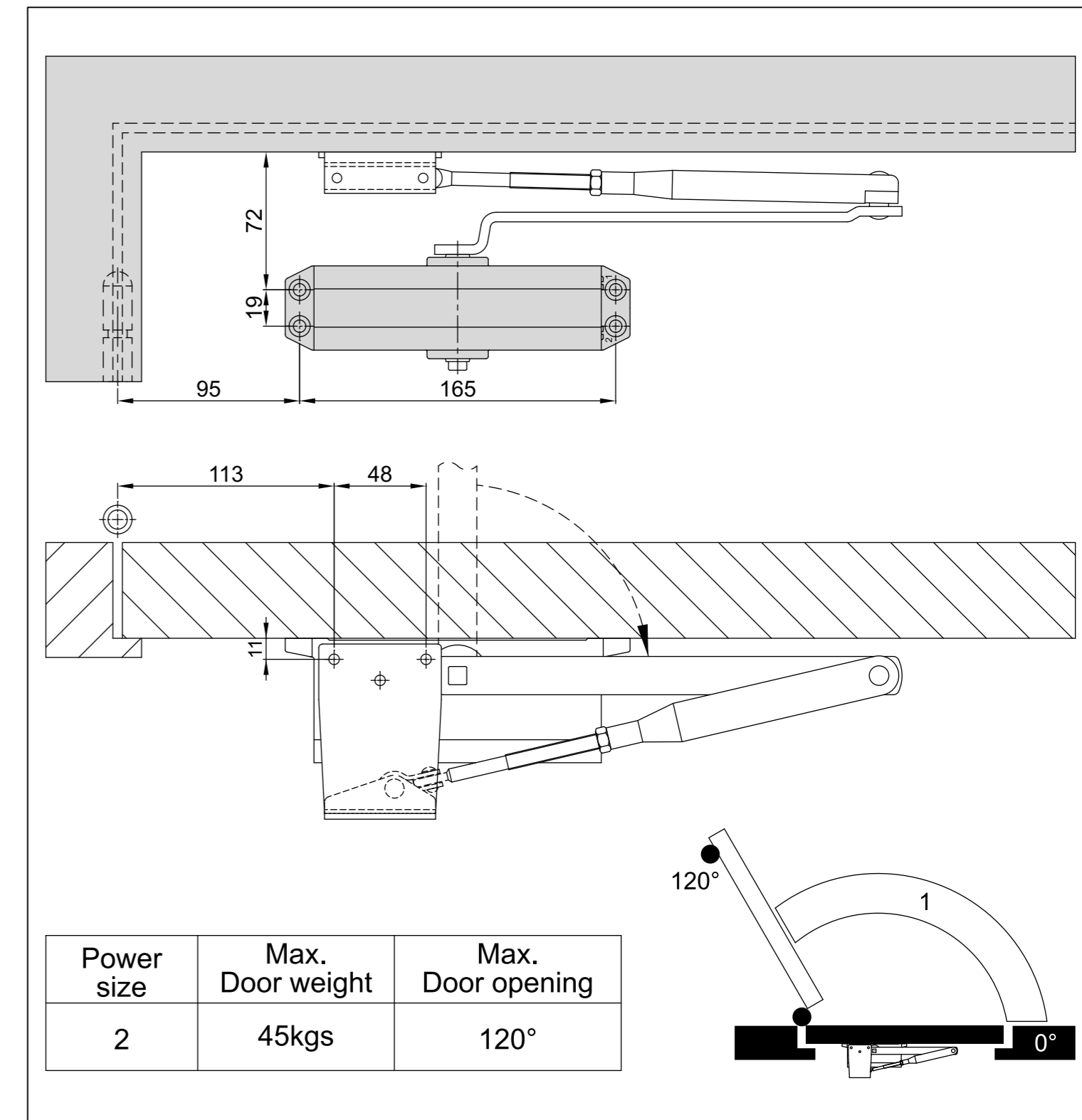
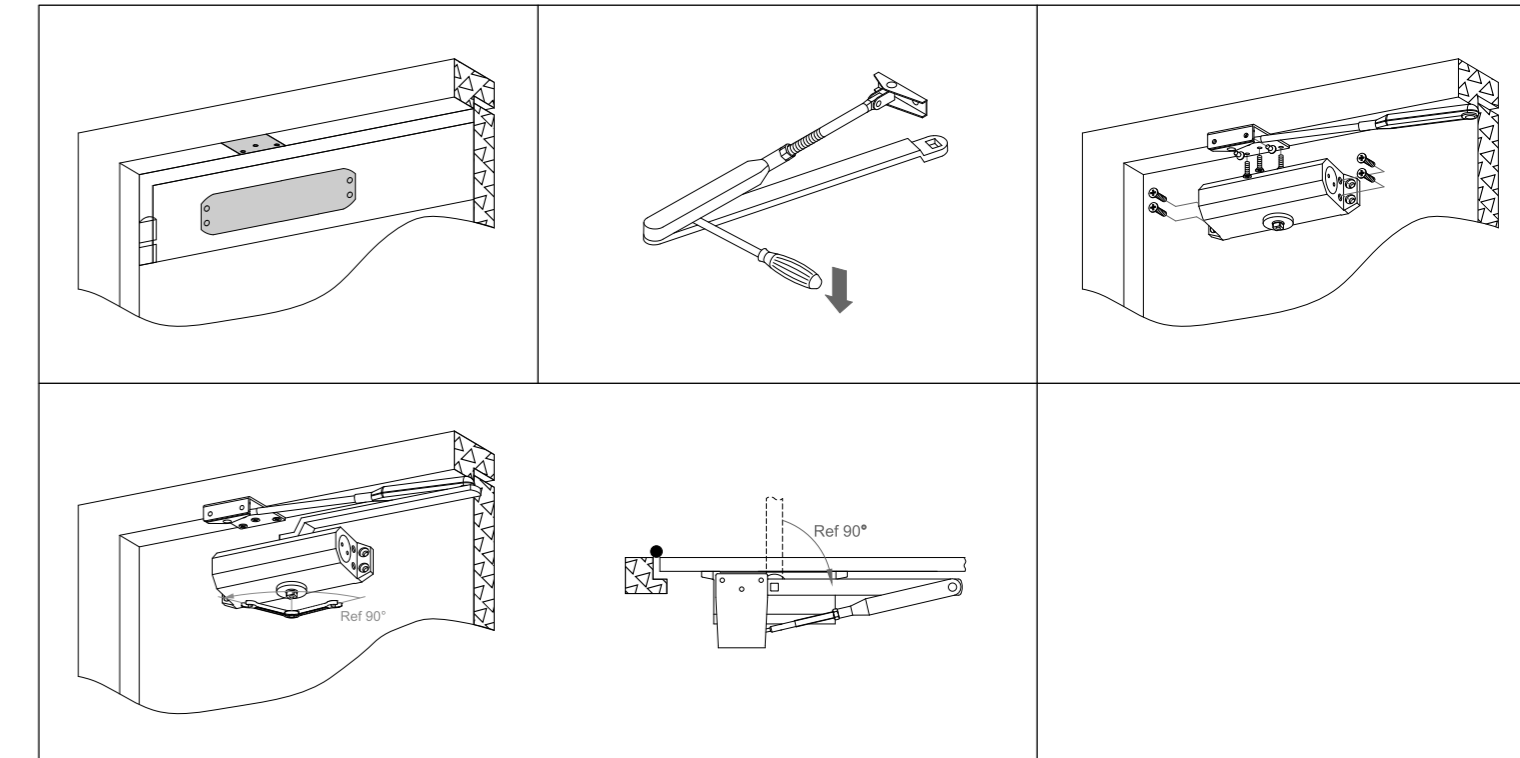


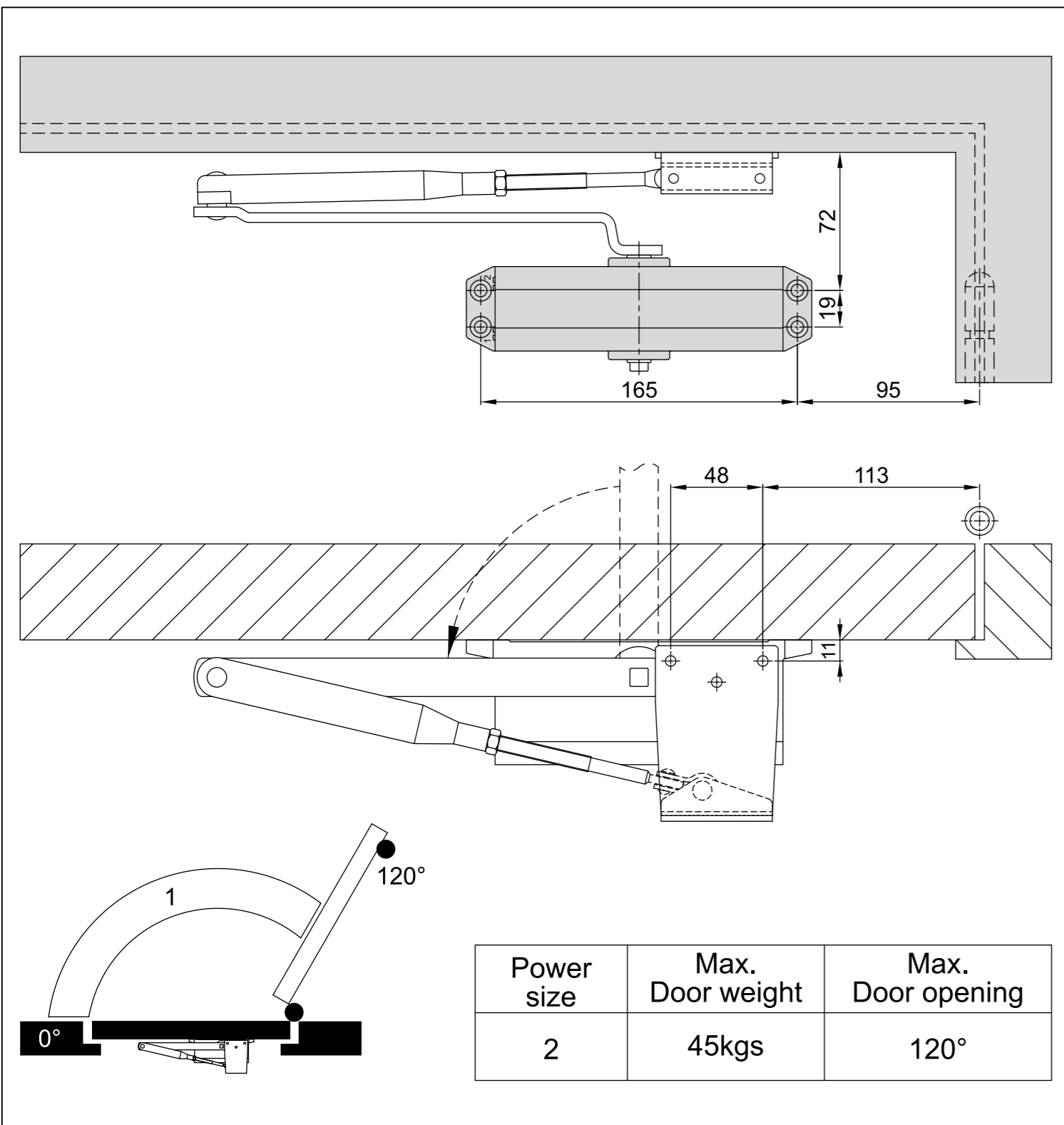
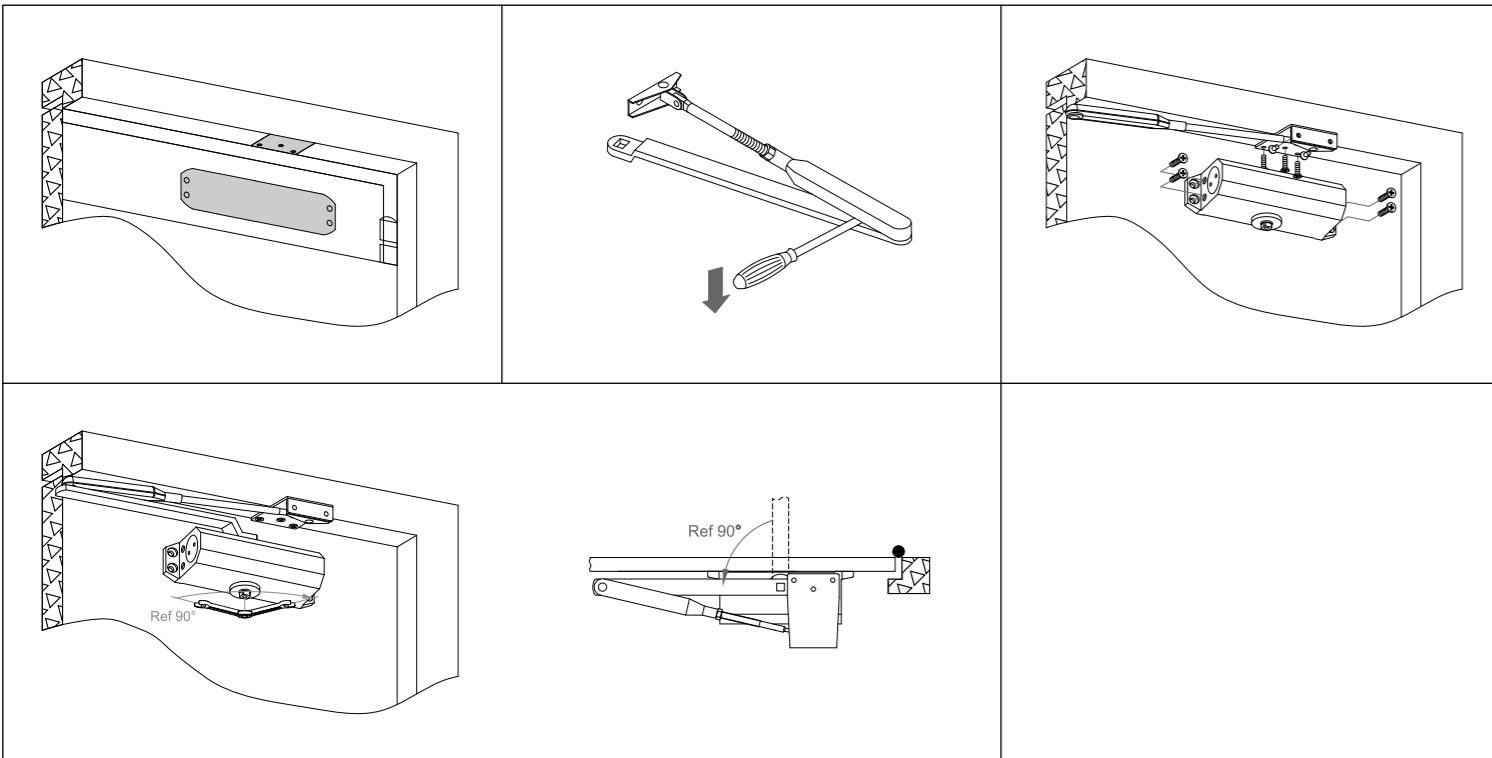
Yale 300 Series NO.2 ~ NO.4



Parallel fixing on push side.



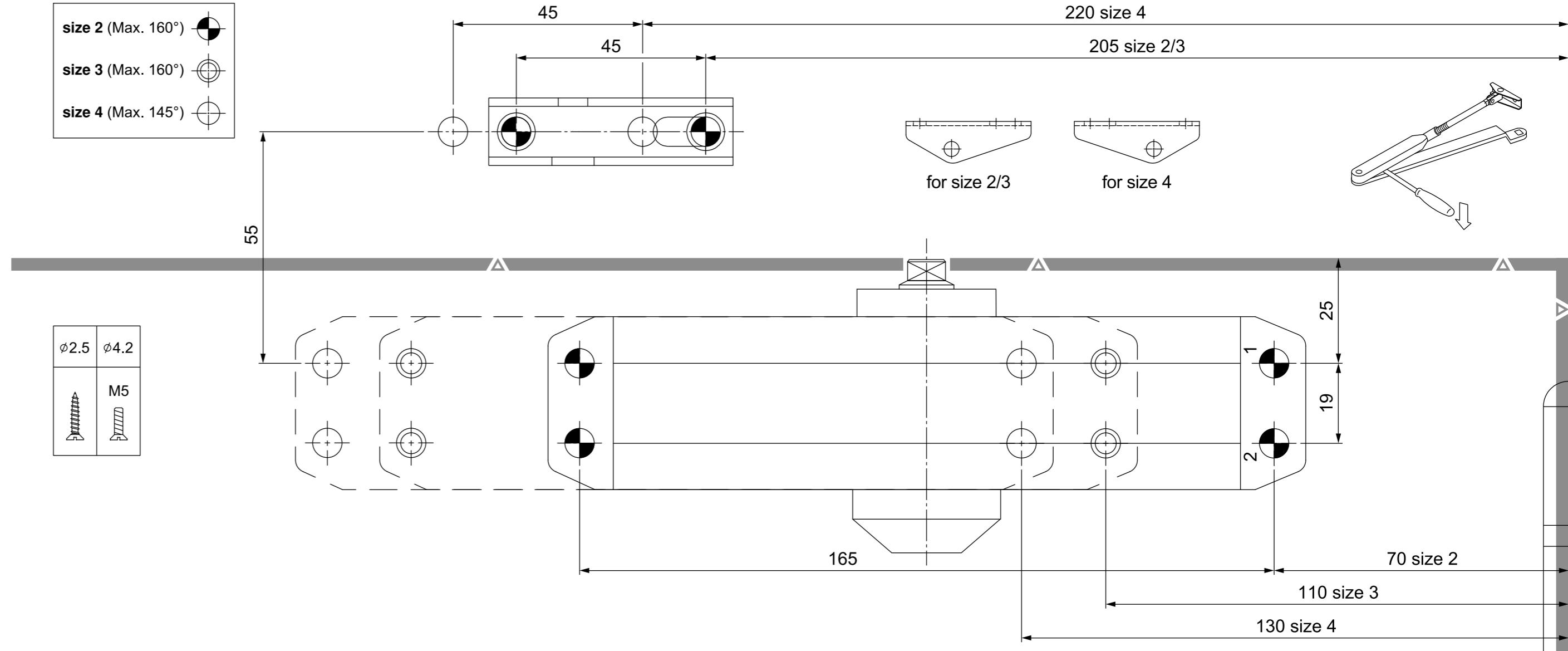
Parallel fixing on push side.



Yale 300 Series NO.2 ~ NO.4

- size 2 (Max. 160°)
- size 3 (Max. 160°)
- size 4 (Max. 145°)

Ø2.5	Ø4.2
	M5



Ø2.5	Ø4.2
	M5

