

Installation Instructions

D001152785



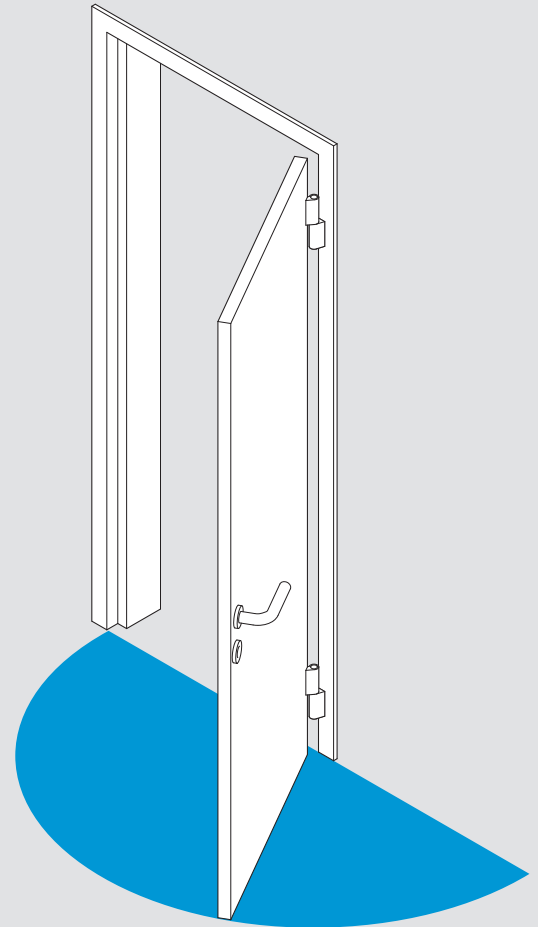
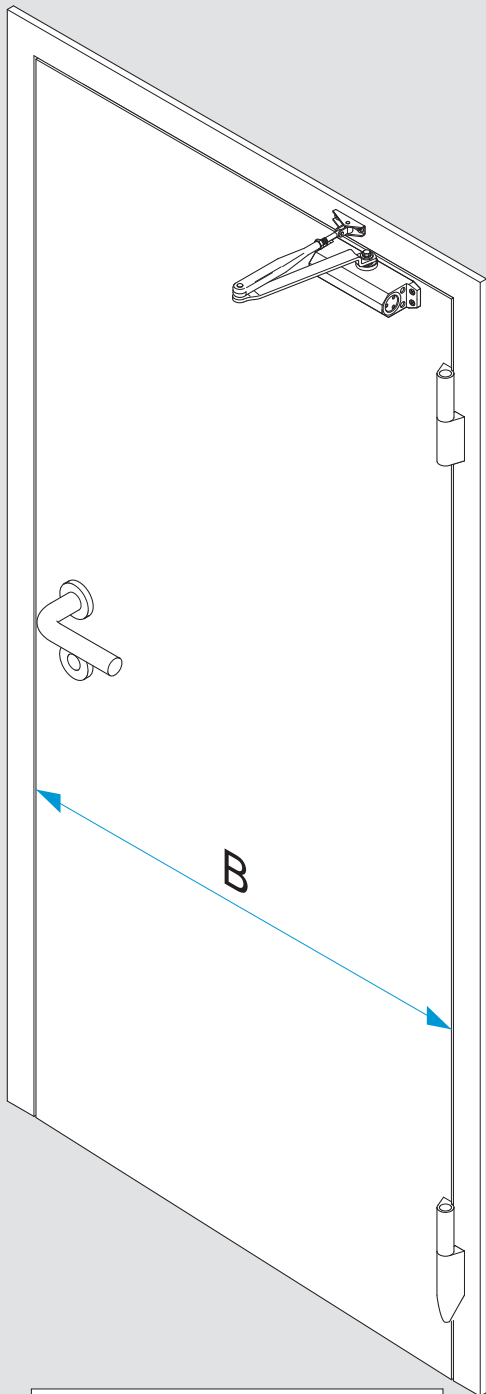
www.abloy.com/dop



DoP



www.abloy.com/dop

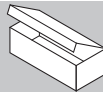
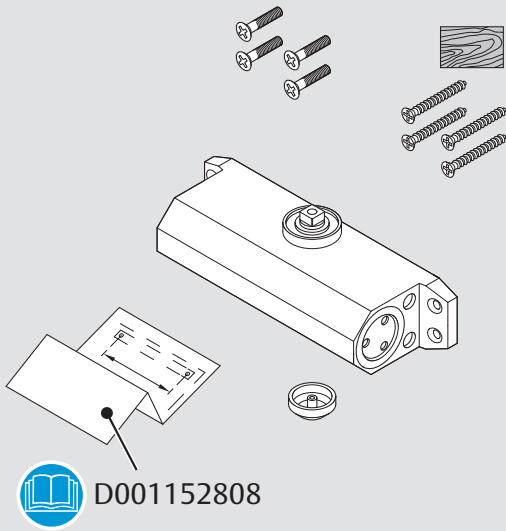
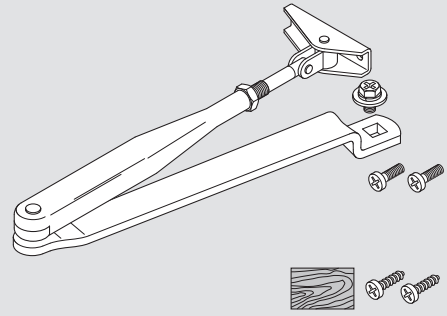


max. 180°

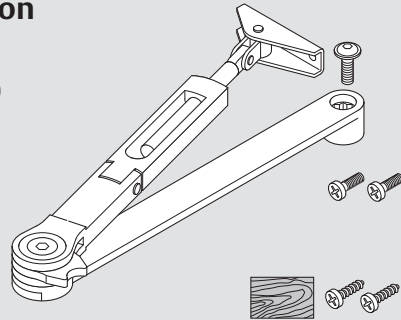

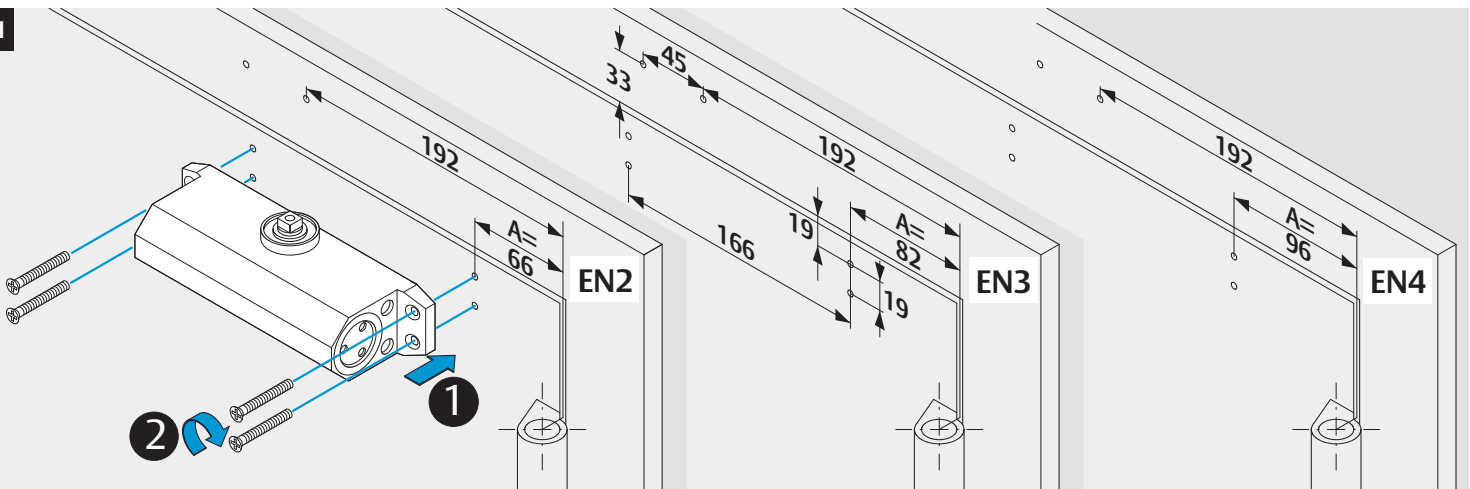
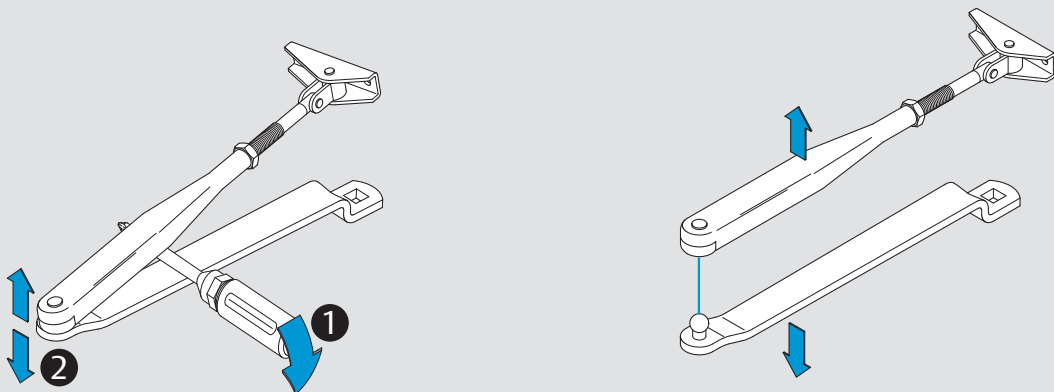


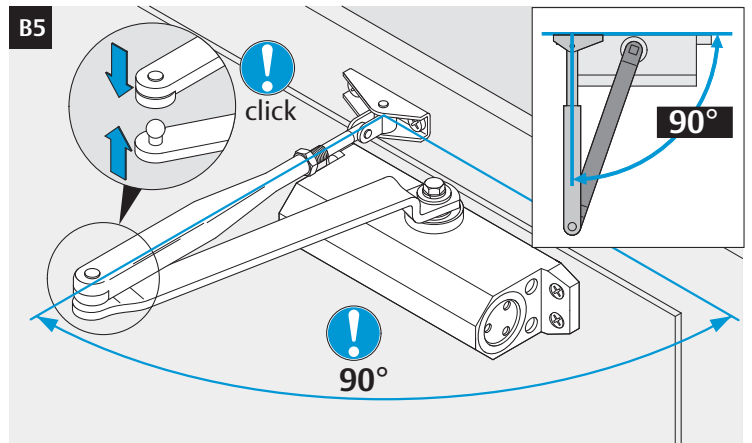
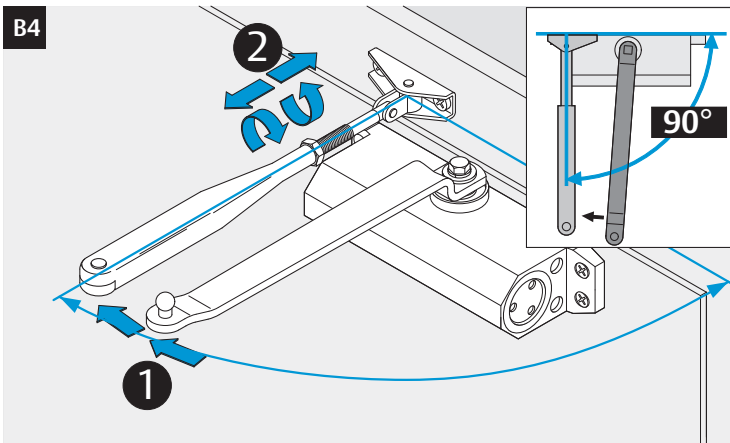
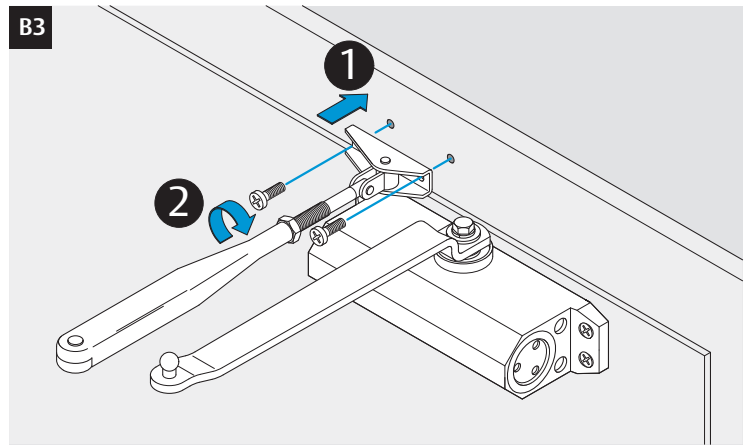
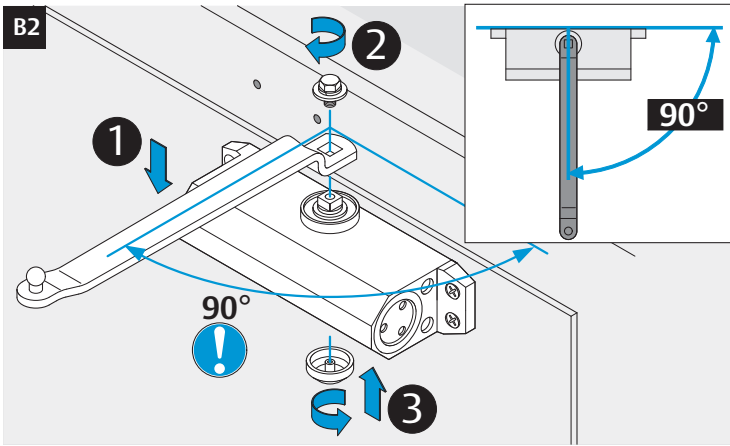
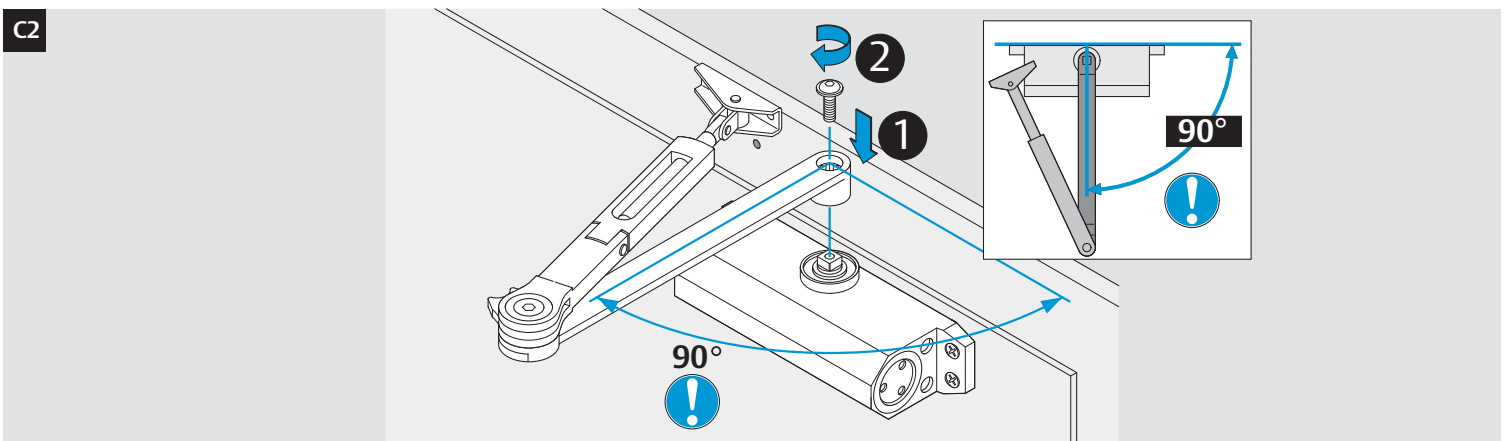
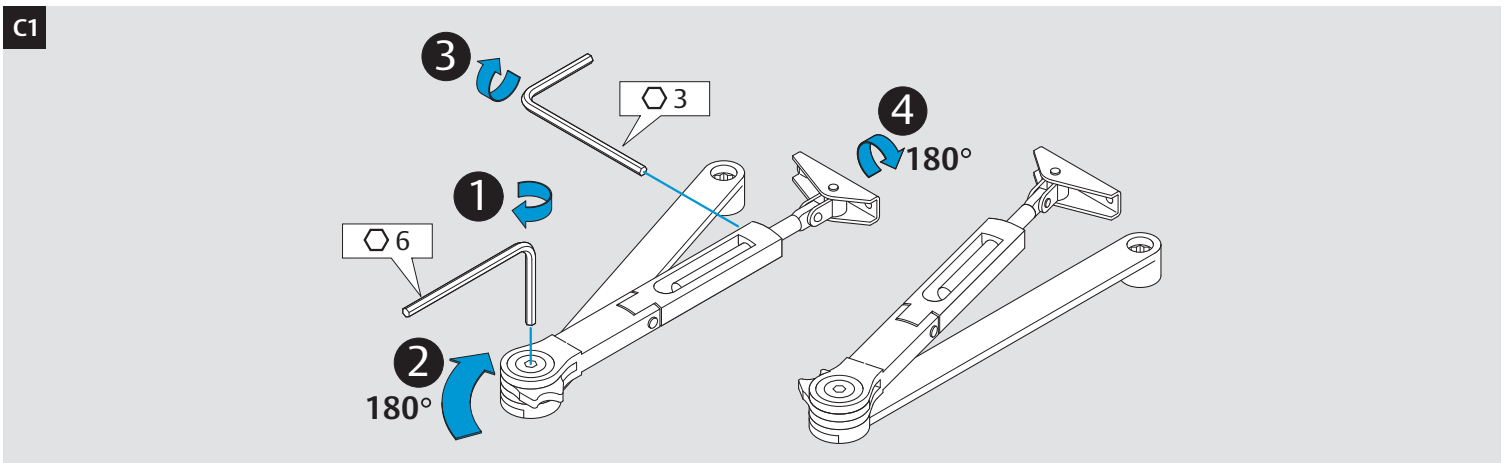
	B	
EN2	≤	850mm
EN3	≤	950mm
EN4	≤	1100mm

CE 2812	Abloy Oy, PO Box 108 80101 Joensuu Finland		14						
	DC110			EN 1154:1996/A1:2002/AC:2006 2812-CPR-AD5485	4	8	2/3/4	1	1
Dangerous substances: None									

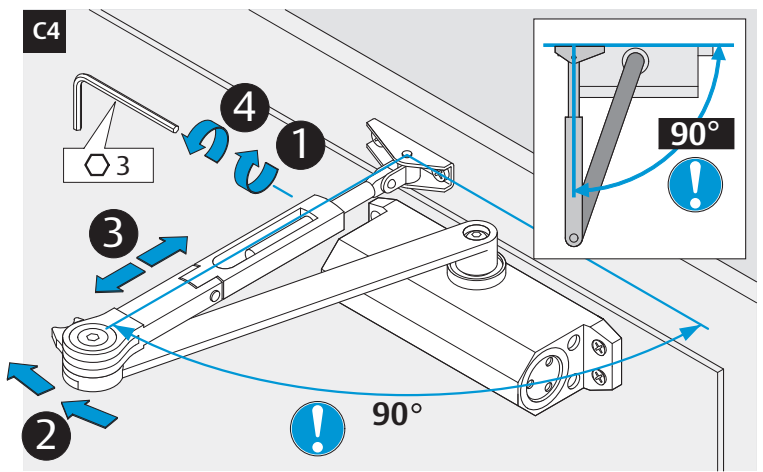
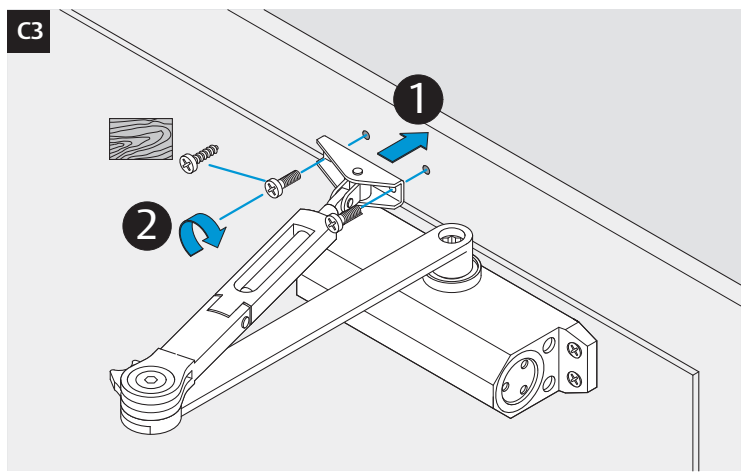
**A****B****C**

Option

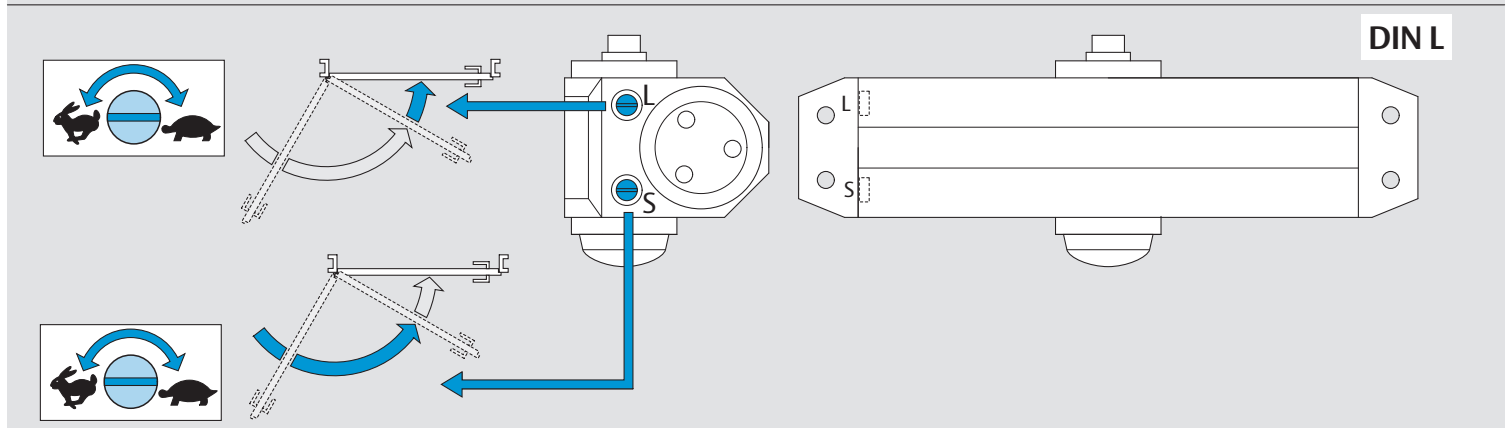
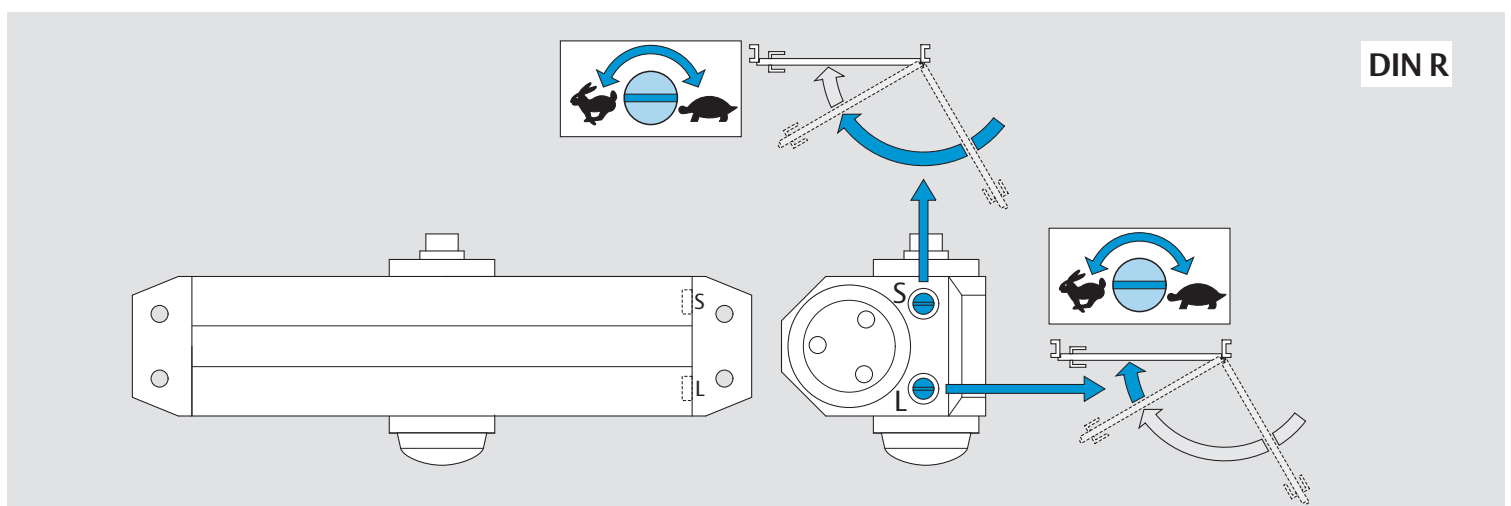
**A** Doc. Nr.: D001152808**A1****B****B1**

B**C**

C 



A



ASSA ABLOY

Abloy Oy
 P.O.Box 108
 80101 Joensuu
 FINLAND
 Tel.: +358-20 599 2501
 Fax: +358-20 599 2209
 www.assaabloy.com
 www.abloy.com/dop

22.3.2021