

DC110

Rack and pinion door closer with link arm for single leaf doors, size 2/3/4



DC110 with standard link arm, silver, EV1

The DC110 series is an economical and compact solution for a wide range of applications. It is available in different configurations and finishes to meet your specific requirements. The DC110 comes complete with body and arm.

- Certified in compliance with EN 1154, size 2/3/4 (size 3 with parallel arm)
- Suitable for fire and smoke protection doors (not for hold-open arm)
- For single leaf doors up to 1100 mm width

Colours

- Silver, EV1
- White, similar to RAL 9016
- Black, similar to RAL 9005

Features

- Can be used for left- and right-handed doors
- Closing and latch speeds can be raised and lowered independently
- Durable metal valves make adjustments reliable
- Consistent performance in a wide range of temperatures

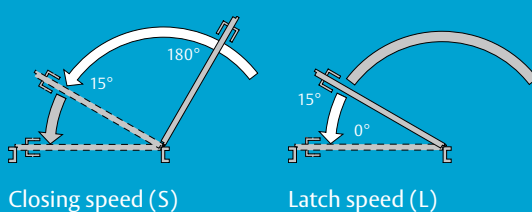
Product variants

- Standard link arm
- Hold-open link arm (cannot be used on fire doors)
- Parallel arm (check suitability for use on fire doors)

Accessories

- **A154** parallel arm bracket for parallel arm installation (does not provide full closing force)

Independent adjustment via side-facing valves

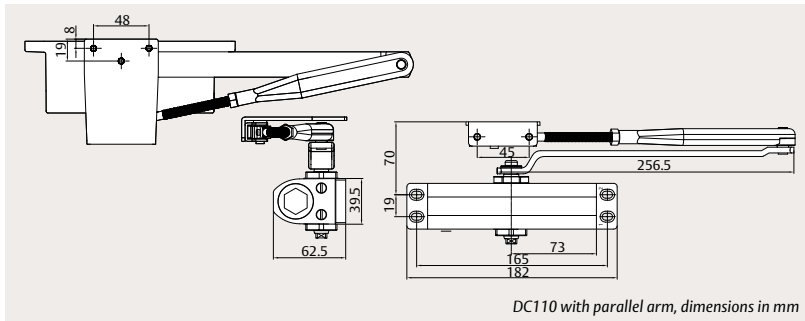
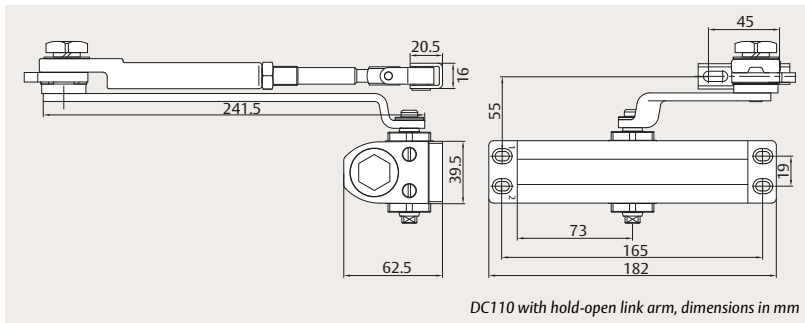
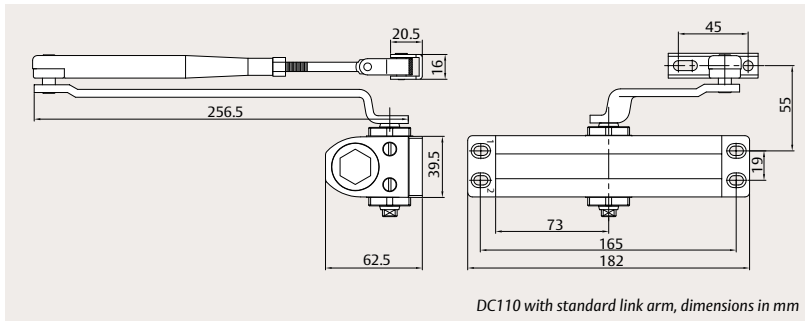


DC110

Technical attributes and certification



Scan the QR code to watch the installation video



Technical attributes

| | |
|-------------------------------|--|
| Closing force | EN size 2/3/4 (parallel arm EN size 3) |
| Maximum leaf width | 1100 mm |
| Closing speed (S) | Variable between 180° and 15° |
| Latch speed (L) | Variable between 15° and 0° |
| Maximum opening angle | ~180° |
| Door system | Single leaf |
| Handing | Left- / right-handed |
| Mounting options | Leaf mounting on hinge side (non-hinge side with parallel arm) |
| Force adjustment | No |
| Height adjustment | No |
| Corrosion resistance | Grade 4 (240 hours) |
| Dimensions (H x D x L) | 39.5 x 62.5 x 182 mm |



Visit assaabloy.com to download all relevant product literature



Certification and testing

| | |
|---|---------------------------|
| Certified in compliance with | EN 1154 |
| CE classification | 4 8 2/3/4 1 1 4 |
| CE / UKCA mark | Yes |
| Suitable for fire and smoke protection doors | Yes (≥EN3) |
| Third-party verified EPD | ISO 14025, EN 15804 |

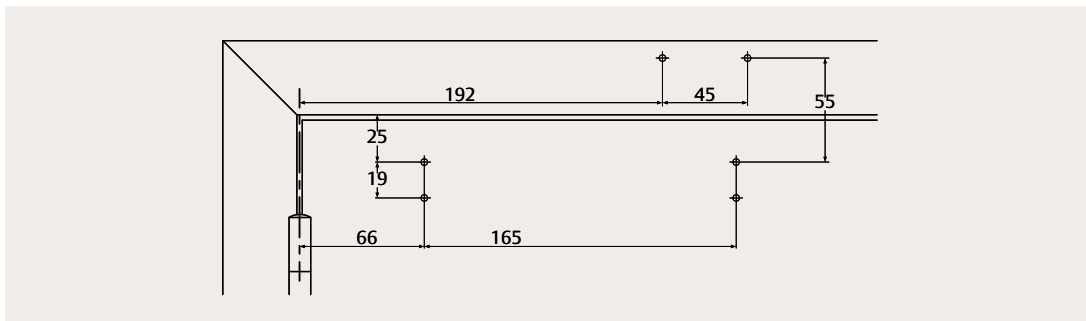


DC110

Mounting dimensions and accessories

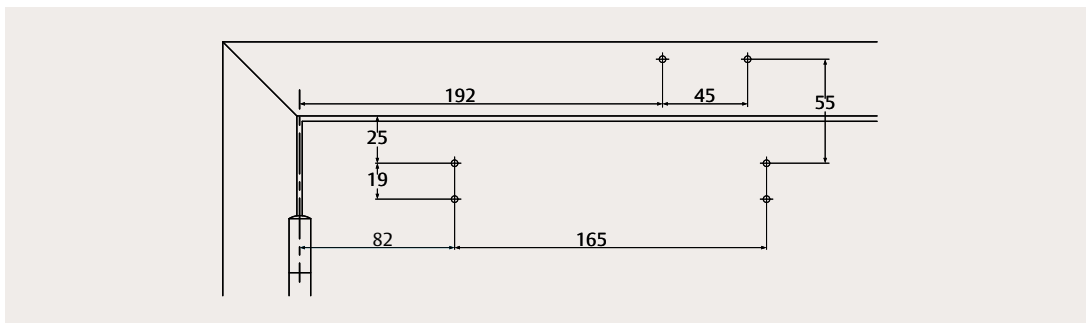
Direct leaf mounting with link arm EN size 2 on hinge side

The drawing illustrates installation on left-handed doors. For right-handed doors, it is the reverse.



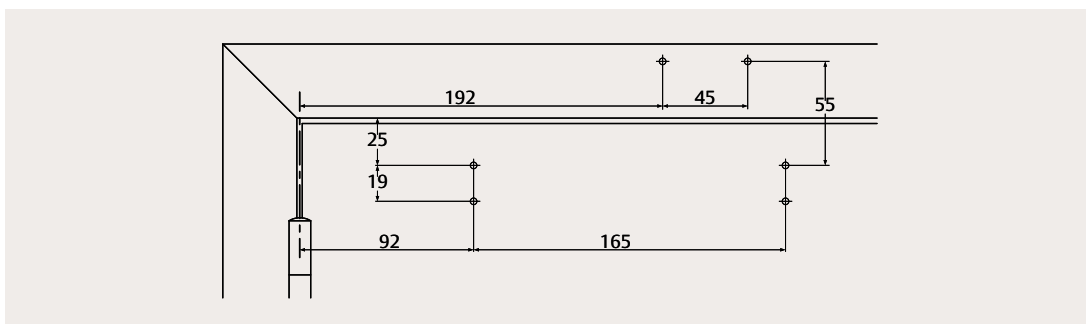
Direct leaf mounting with link arm EN size 3 on hinge side

The drawing illustrates installation on left-handed doors. For right-handed doors, it is the reverse.



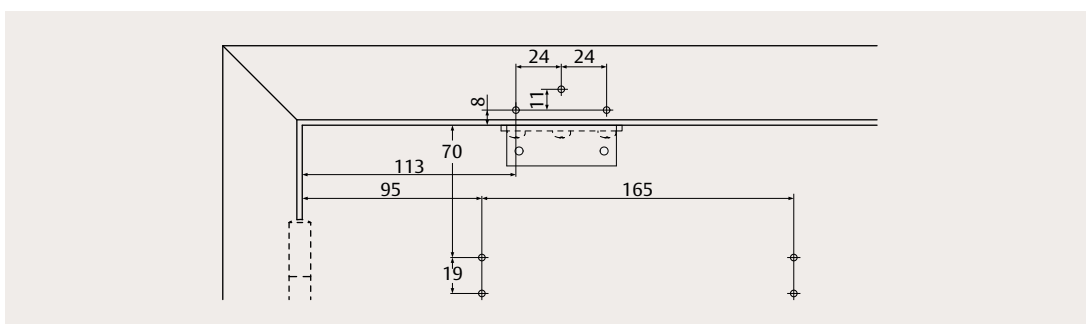
Direct leaf mounting with link arm EN size 4 on hinge side

The drawing illustrates installation on left-handed doors. For right-handed doors, it is the reverse.



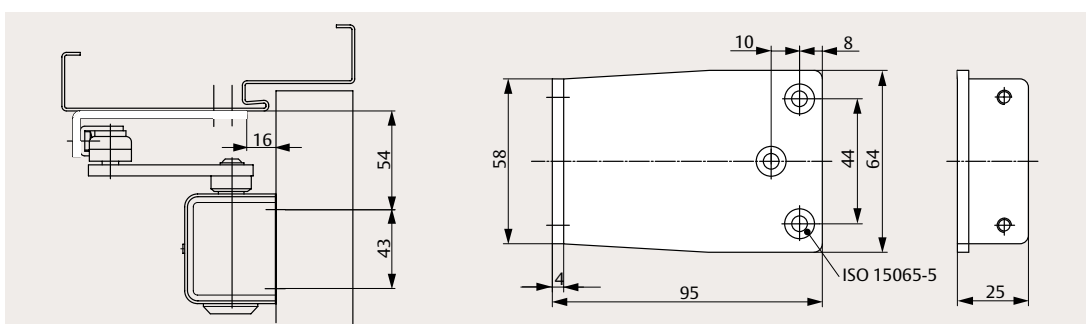
Direct leaf mounting with parallel arm EN size 3 on non-hinge side

The drawing illustrates installation on right-handed doors. For left-handed doors, it is the reverse.



A154 parallel arm bracket for parallel arm mounting

Check suitability for use on fire and smoke protection doors.



DC110

Order information



| Door closers | |
|---|-----------------|
| Standard link arm variant | |
| DC110 with standard arm, EN size 2/3/4, silver, EV1 | DC110-----DEV1- |
| DC110 with standard arm, EN size 2/3/4, white, similar to RAL 9016 | DC110-----D9016 |
| DC110 with standard arm, EN size 2/3/4, black, similar to RAL 9005 | DC110-----D9005 |
| Hold-open link arm variant | |
| DC110 with hold-open arm, EN size 2/3/4, silver, EV1 | DC110-1---DEV1- |
| DC110 with hold-open arm, EN size 2/3/4, white, similar to RAL 9016 | DC110-1---D9016 |
| DC110 with hold-open arm, EN size 2/3/4, black, similar to RAL 9005 | DC110-1---D9005 |
| Parallel arm variant | |
| DC110 with parallel arm, EN size 3, silver, EV1 | DC110-3---DEV1- |
| DC110 with parallel arm, EN size 3, white, similar to RAL 9016 | DC110-3---D9016 |
| DC110 with parallel arm, EN size 3, black, similar to RAL 9005 | DC110-3---D9005 |
| Accessories | |
| Parallel arm bracket A154 | |
| Parallel arm bracket A154, silver, EV1 | DCA154-----EV1- |
| Parallel arm bracket A154, white, similar to RAL 9016 | DCA154-----9016 |
| Parallel arm bracket A154, black, similar to RAL 9005 | DCA154-----9005 |

DC110, silver



DC110, white



DC110, black



DC110-1, silver



DC110-3, silver



A154, silver



A154, white



A154, black

