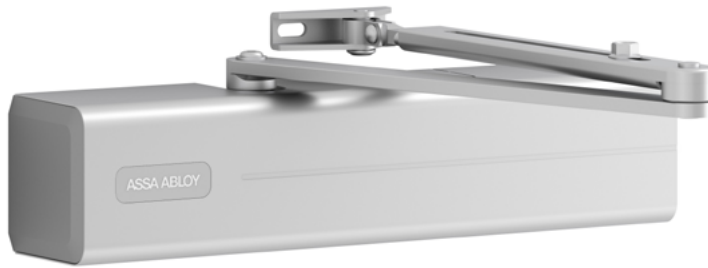


DC340

Rack and pinion door closer with link arm or guide rail for single leaf doors, size 2-6 / 1-4



DC340 with link arm L190, silver, EV1

The DC340 rack and pinion door closer is a functional and universal solution for any door. Its modern and compact design, with a choice of finishes, is both sleek and durable and blends seamlessly into any environment. With the DC340, doors open comfortably and close securely.

- Certified in compliance with EN 1154, size 2-6 / 1-4
- Suitable for fire and smoke protection doors (not for hold-open link arm)
- For single leaf doors up to 1400 / 1100 mm width
- Barrier-free according to DIN 18040 (max. leaf width 1250 mm) and CEN/TR 15894 (not for guide rail)

Colours

- Silver, EV1
- White, similar to RAL 9016
- Black, similar to RAL 9005

Features

- Can be used for left- and right-handed doors, door leaf or frame mounted
- Height-adjustable, grooved spindle (14 mm) compensates installation mistakes
- Closing and latch speeds can be raised and lowered independently
- Durable, front-facing metal valves make adjustments easy and reliable
- Consistent performance in a wide range of temperatures
- Backcheck functionality as standard protects frame and surrounding areas
- Optional delayed closing allows more time for a user to pass through the door

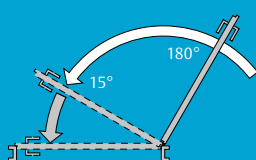
Product variants

- **DC340DA** with delayed closing variable from 180° to 70°, adjustable from front

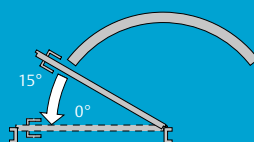
Link arms, guide rail and accessories

- **L190** standard link arm
- **L191** hold-open link arm with adjustable hold-open angle from 75° to 120° – can be enabled and disabled (cannot be used on fire doors)
- **G193** standard guide rail with visible fastening screws
- **A126** mounting plate for door closer
- **A152** mechanical hold-open device with adjustable hold-open force, keeps doors open at an angle between 80° and 130° (not approved for use on fire and smoke protection doors)
- **A153** mechanical opening damper, continuously adjustable up to an opening angle of max. 130° (does not replace door stop)

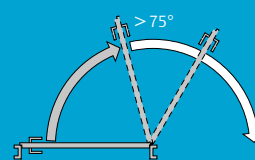
Independent adjustment via front-facing valves



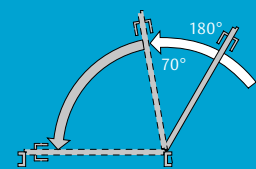
Closing speed (C)



Latch speed (L)



Backcheck (B)

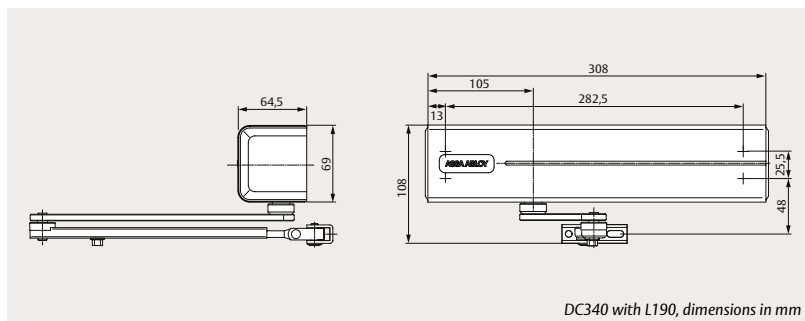


Delayed closing (D)*

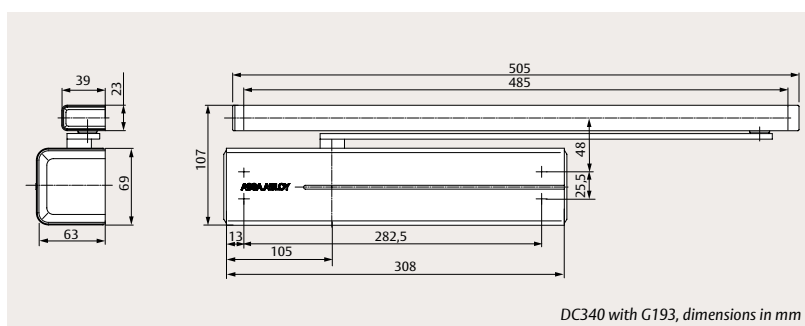
* only for DC340DA

DC340

Technical attributes and certification



DC340 with L190, dimensions in mm



DC340 with G193, dimensions in mm



Technical attributes

Closing force	EN size 2-6 / 1-4 / 2-4 (link arm / guide rail / DC340DA guide rail)
Maximum leaf width	1400 / 1100 mm (link arm / guide rail)
Closing speed (S)	Variable between 180° and 15°
Latch speed (L)	Variable between 15° and 0°
Backcheck (BC)	Variable above 75°
Delayed closing (DA)	Variable between 180° and 70° (only for DC340DA)
Maximum opening angle	~180°/125° (hinge side / non-hinge side)
Hold-open angle	75°-120° (for L191)
Door system	Single leaf
Handing	Left- / right-handed
Mounting options	Leaf mounting on hinge-side Frame mounting on non-hinge side
Force adjustment	Yes
Height adjustment	Yes
Corrosion resistance	Grade 3 (96 hours)
Dimensions (H x D x L)	69 x 64.5 x 308 mm



Visit assaabloy.com to download all relevant product literature



Certification and testing

Certified in compliance with	EN 1154
CE classification	4 8 2-6 1 1 3 (DC340/DC340DA with link arm) 4 8 1-4 1 1 3 (DC340 with guide rail) 4 8 2-4 1 1 3 (DC340DA with guide rail)
CE / UKCA mark	Yes
Suitable for fire and smoke protection doors	Yes
Barrier-free according to*	CEN/TR 15894 DIN 18040 (max. leaf width 1250 mm)
Third-party verified EPD	ISO 14025, EN 15804

* only for DC340/DC340DA with link arm

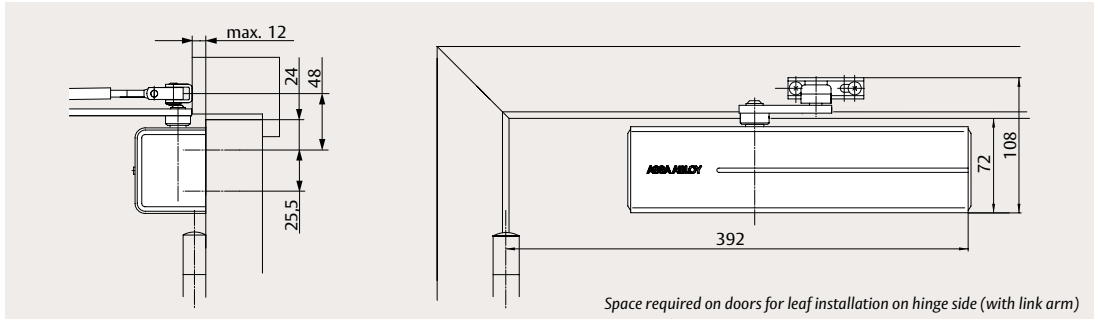


DC340

Space requirement and mounting dimensions

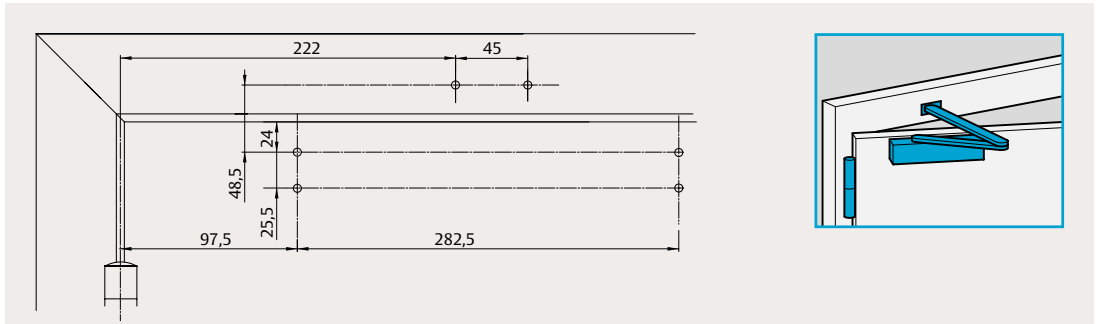


Scan the QR code to watch the installation video



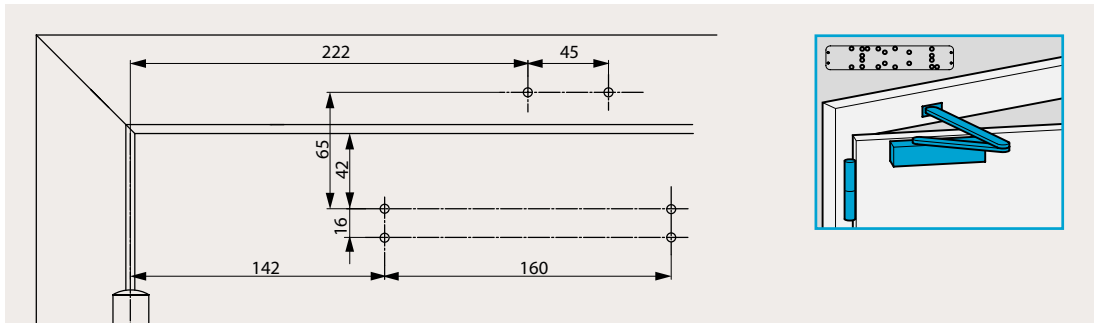
Direct leaf mounting with link arm on hinge side

The drawing illustrates installation on left-handed doors. For right-handed doors, it is the reverse.



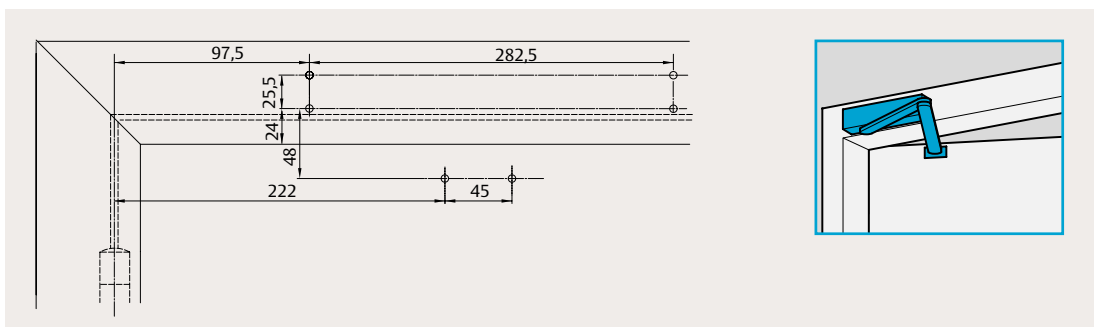
Mounting plate leaf mounting with link arm on hinge side; in compliance with DIN EN 1154, supplement 1

The drawing illustrates installation on left-handed doors. For right-handed doors, it is the reverse.



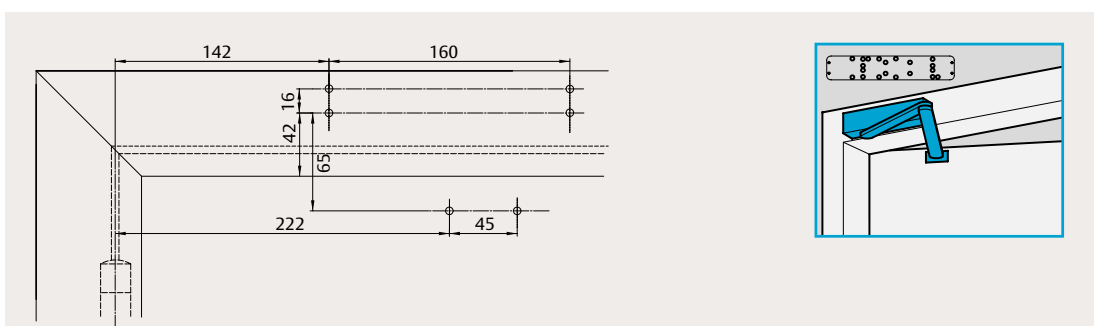
Direct frame mounting with link arm on non-hinge side

The drawing illustrates installation on right-handed doors. For left-handed doors, it is the reverse.



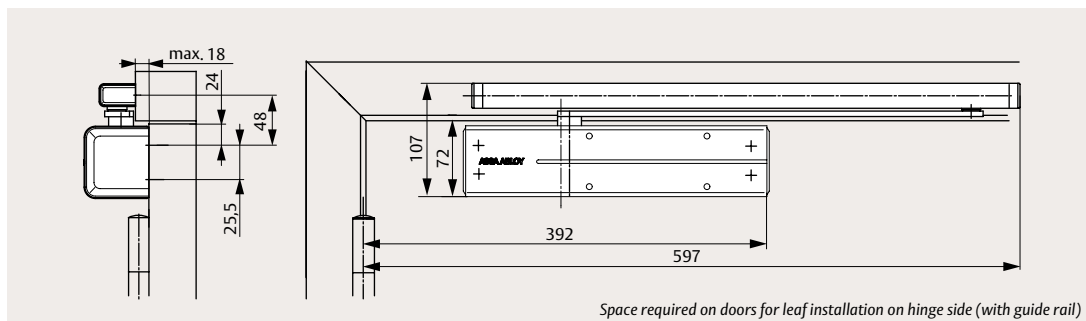
Mounting plate frame mounting with link arm on non-hinge side

The drawing illustrates installation on right-handed doors. For left-handed doors, it is the reverse.



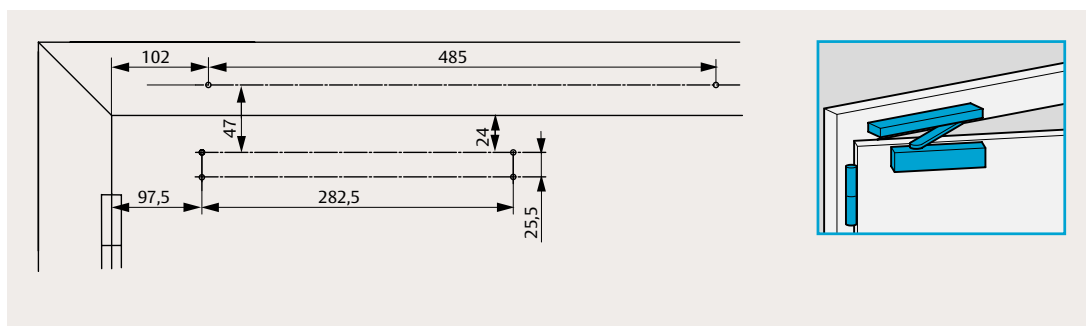
DC340

Space requirement and mounting dimensions



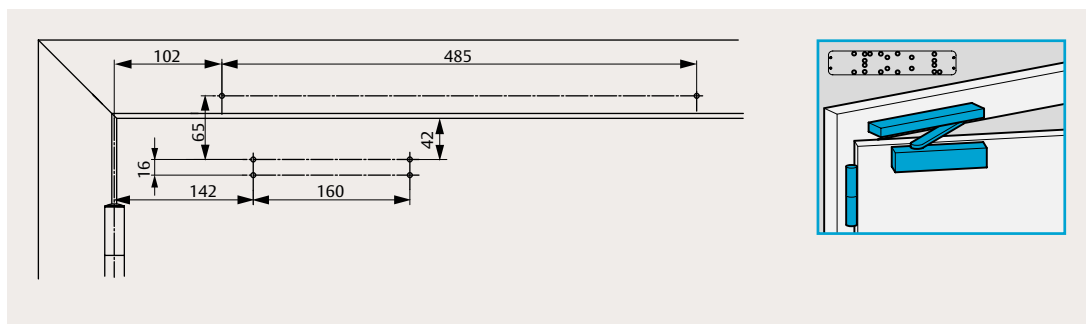
Direct leaf mounting with guide rail on hinge side

The drawing illustrates installation on left-handed doors. For right-handed doors, it is the reverse.



Mounting plate leaf mounting with guide rail on hinge side; in compliance with DIN EN 1154, supplement 1

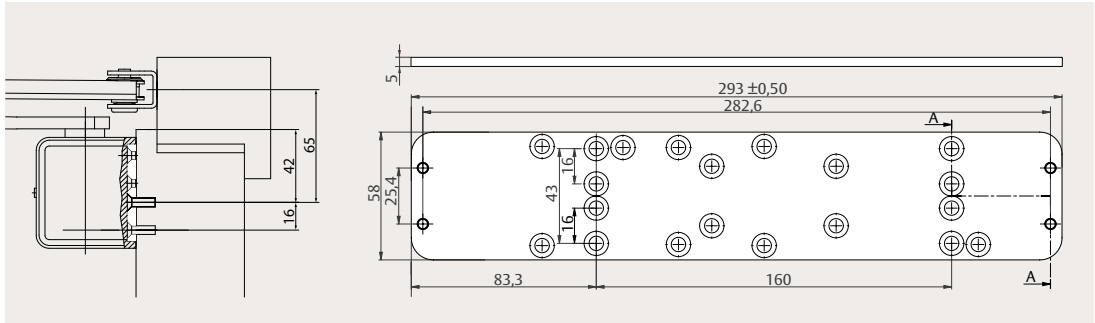
The drawing illustrates installation on left-handed doors. For right-handed doors, it is the reverse.



DC340

Accessories and order information

A126 mounting plate
for door closer;
in compliance with DIN
EN 1154, supplement 1



Door closers

DC340, silver, EV1	DC340-----DEV1-
DC340, white, similar to RAL 9016	DC340-----D9016
DC340, black, similar to RAL 9005	DC340-----D9005
DC340DA, silver, EV1	DC350-----DEV1-
DC340DA, white, similar to RAL 9016	DC350-----D9016
DC340DA, black, similar to RAL 9005	DC350-----D9005

DC340, silver



DC340, white



DC340, black



L190, silver



L190, white



L190, black



L191, silver



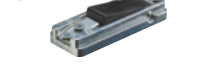
G193, silver



A126



A152



A153



Note

DC340/DC340DA with
link arm L190 = EN 2-6

DC340 with guide rail
G193 = EN 1-4

DC340DA with guide rail
G193 = EN 2-4

Standard link arms

Link arm L190, silver, EV1	DCL190-----EV1-
Link arm L190, white, similar to RAL 9016	DCL190-----9016
Link arm L190, black, similar to RAL 8014	DCL190-----9005

Hold-open link arms

Hold-open link arm L191, silver, EV1	DCL191-----EV1-
Hold-open link arm L191, white, similar to RAL 9016	DCL191-----9016
Hold-open link arm L191, black, similar to RAL 8014	DCL191-----9005

Guide rails

Guide rail G193, silver, EV1	DCC193-----EV1-
Guide rail G193, white, similar to RAL 9016	DCC193-----9016
Guide rail G193, black, similar to RAL 9005	DCC193-----9005

Accessories

Mounting plate A126, galvanized	DCA126-----40
Mechanical hold-open device A152	DCA152-----
Mechanical opening damper A153	DCA153-----