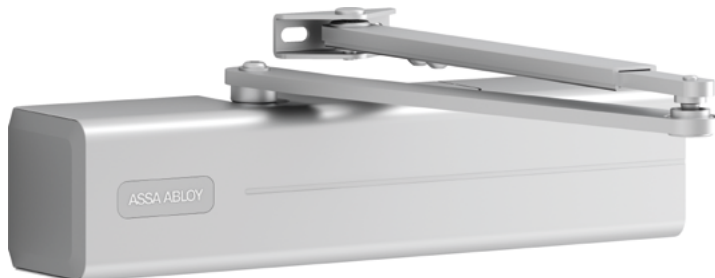


## DC347

Rack and pinion door closer with link arm  
for single leaf doors, size 5-7



DC347 with link arm L197, silver, EV1

The DC347 rack and pinion door closer with extra strong link arm is ideal for heavy doors. Its modern design, with a choice of finishes, is durable and blends seamlessly into any environment. With the DC347, doors open comfortably and close securely.

- Certified in compliance with EN 1154, size 5-7
- Suitable for fire and smoke protection doors
- For single leaf doors up to 1600 mm width
- Barrier-free according to DIN 18040 (max. leaf width 1250 mm) and CEN/TR 15894

### Colours

- Silver, EV1
- White, similar to RAL 9016
- Black, similar to RAL 9005

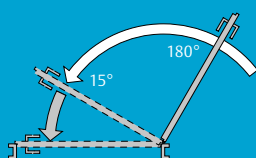
### Features

- Can be used for left- and right-handed doors, door leaf or frame mounted
- Height-adjustable, grooved spindle (14 mm) compensates installation mistakes
- Closing and latch speeds can be raised and lowered independently
- Durable, front-facing metal valves make adjustments easy and reliable
- Consistent performance in a wide range of temperatures
- Backcheck functionality as standard protects frame and surrounding areas (not for parallel arm installation)

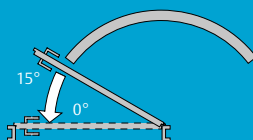
### Link arm and accessories

- **L197** extra strong link arm
- **A126** mounting plate for door closer

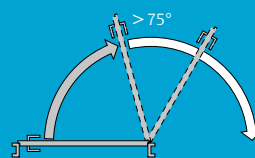
### Independent adjustment via front-facing valves



Closing speed (C)



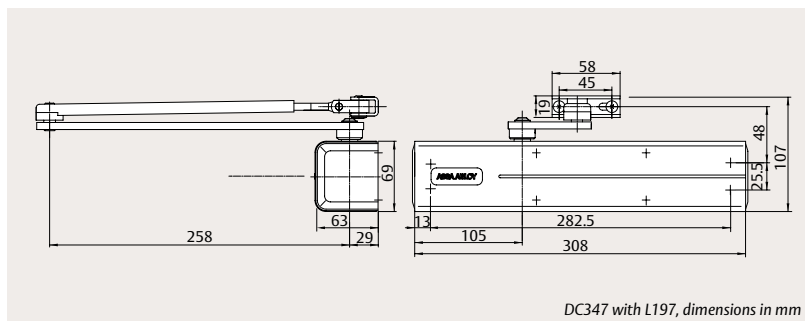
Latch speed (L)



Backcheck (B)

# DC347

## Technical attributes and certification



### Technical attributes

<b>Closing force</b>	EN size 5-7
<b>Maximum leaf width</b>	1600 mm
<b>Closing speed (C)</b>	Variable between 180° and 15°
<b>Latch speed (L)</b>	Variable between 15° and 0°
<b>Backcheck (B)</b>	Variable above 75°
<b>Maximum opening angle</b>	~180°
<b>Door system</b>	Single leaf
<b>Handing</b>	Left- / right-handed
<b>Mounting options</b>	Leaf mounting on hinge-side Frame mounting on non-hinge side
<b>Force adjustment</b>	Yes
<b>Height adjustment</b>	Yes
<b>Corrosion resistance</b>	Grade 3 (96 hours)
<b>Dimensions (H x D x L)</b>	69 x 63 x 308 mm



Visit [assaabloy.com](https://assaabloy.com) to download all relevant product literature



### Certification and testing

<b>Certified in compliance with</b>	EN 1154
<b>CE classification</b>	4   8   5-7   1   1   3
<b>CE / UKCA mark</b>	Yes
<b>Suitable for fire and smoke protection doors</b>	Yes
<b>Barrier-free according to</b>	CEN/TR 15894 DIN 18040 (max. leaf width 1250 mm)
<b>Third-party verified EPD</b>	ISO 14025, EN 15804

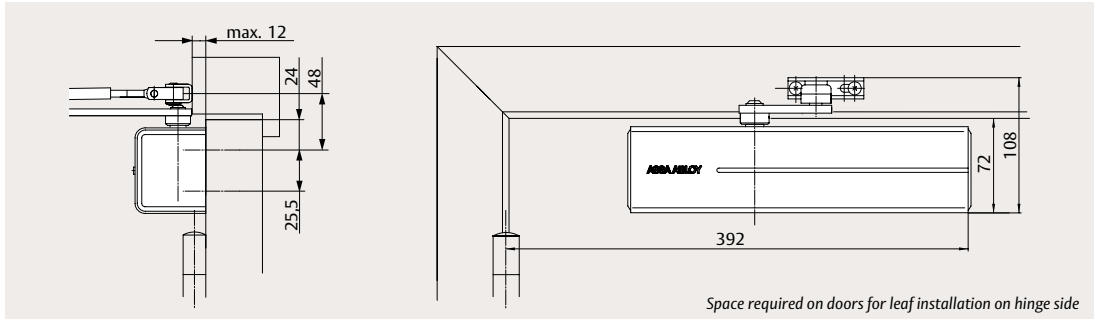


# DC347

## Space requirement and mounting dimensions



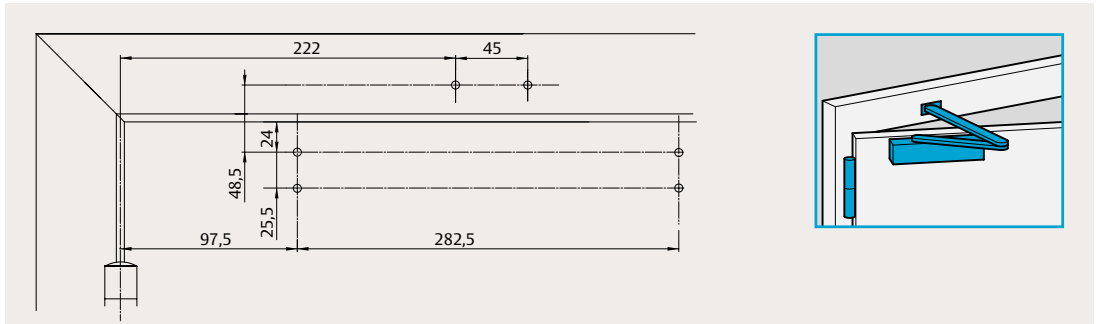
Scan the QR code to watch the installation video



Space required on doors for leaf installation on hinge side

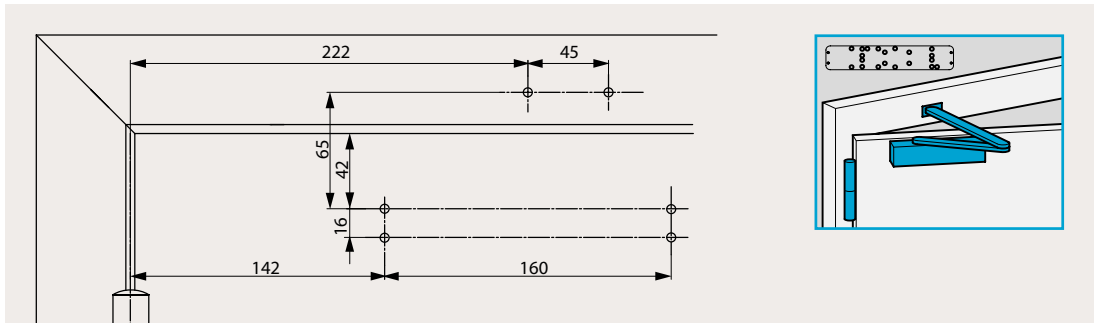
### Direct leaf mounting on hinge side

The drawing illustrates installation on left-handed doors. For right-handed doors, it is the reverse.



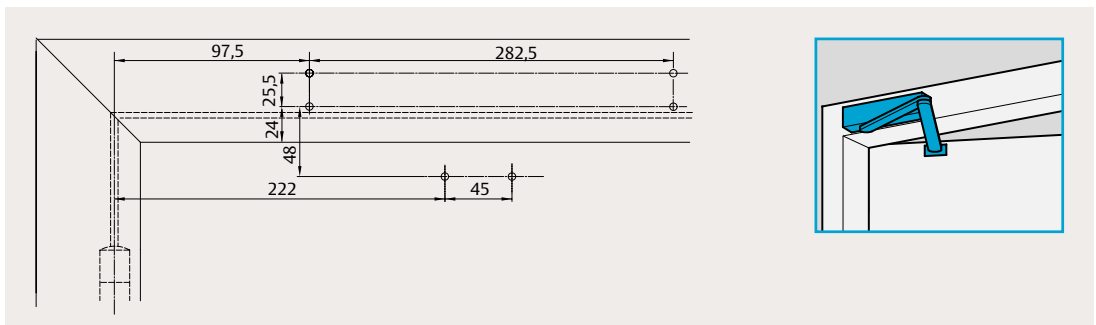
### Mounting plate leaf mounting on hinge side; in compliance with DIN EN 1154, supplement 1

The drawing illustrates installation on left-handed doors. For right-handed doors, it is the reverse.



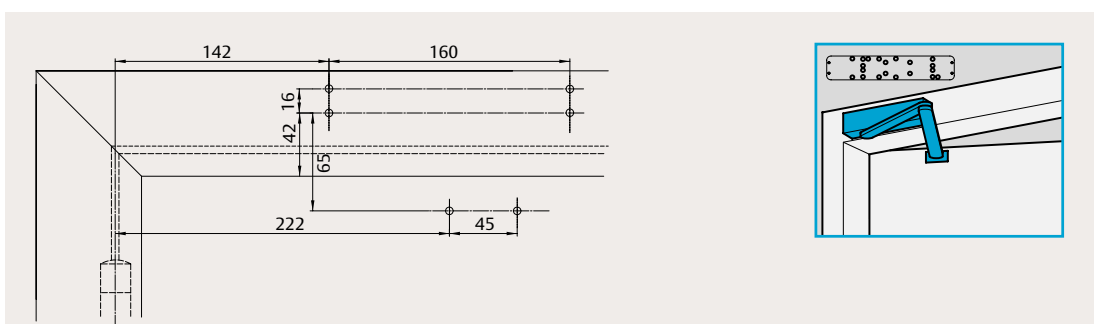
### Direct frame mounting on non-hinge side

The drawing illustrates installation on right-handed doors. For left-handed doors, it is the reverse.



### Mounting plate frame mounting on non-hinge side

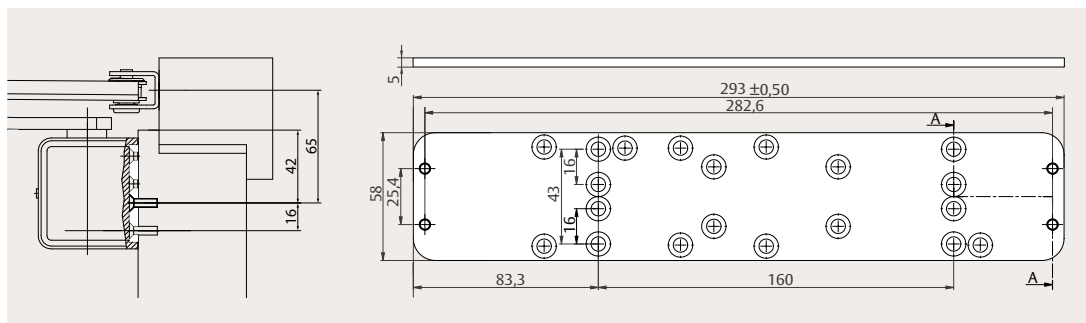
The drawing illustrates installation on right-handed doors. For left-handed doors, it is the reverse.



# DC347

## Accessories and order information

**A126 mounting plate**  
for door closer;  
in compliance with DIN  
EN 1154, supplement 1



### Door closers

DC347, EN size 5-7, silver, EV1	DC347-----DEV1-
DC347, EN size 5-7, white, similar to RAL 9016	DC347-----D9016
DC347, EN size 5-7, black, similar to RAL 9005	DC347-----D9005

### Link arms

Link arm L197, silver, EV1	DCL197-----EV1-
Link arm L197, white, similar to RAL 9016	DCL197-----9016
Link arm L197, black, similar to RAL 8014	DCL197-----9005

### Accessories

Mounting plate A126, galvanized	DCA126-----40
---------------------------------	---------------

DC347, silver



DC347, white



DC347, black



L197, silver



L197, white



L197, black



A126

