

DC140

Rack and pinion door closer with link arm



ASSA ABLOY DC140

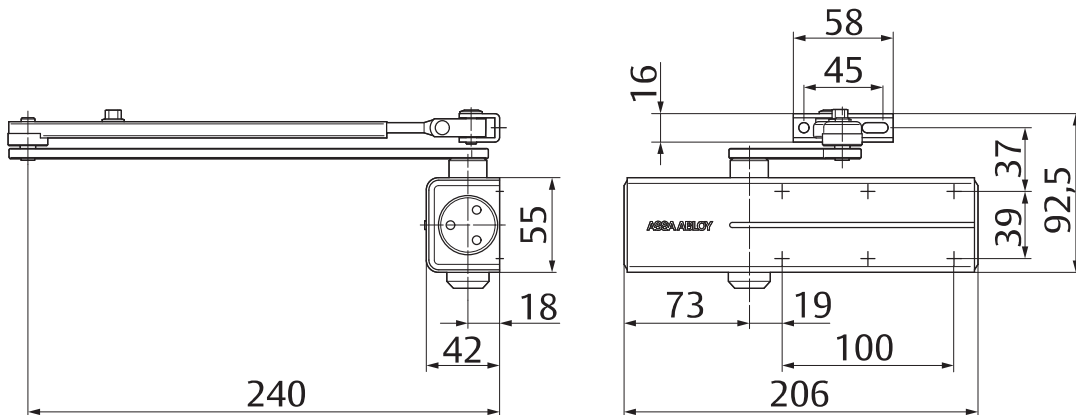
- Rack and pinion door closer with link arm
- Certified in compliance with EN 1154, size 2/3/4/5
- For single action doors up to 1250 mm wide

Characteristics of DC140

- Suitable for fire and smoke protection doors
- Can be used for left and right-handed doors
- Thermodynamic valves for consistent performance
- Closing speed, latching speed and backcheck adjustable via front facing regulating valves
- Closing force configurable
- Opening angle up to 180° (EN5 = 125°)
- Standard colours: silver EV1; white, similar to RAL9016; brown, similar to RAL8014; black, similar to RAL9005



CE	ASSA ABLOY Sicherheitstechnik GmbH Bismarckstraße 20 72458 Abstatt			16
	DC140 EN 1154-1996/A1:2002/AC:2006-02 1121-CPR-AD5248			
Dangerous substances: None				



DC140

Technical attributes

Technical attributes	
Door width up to	1250 mm
Closing force	EN 2/3/4/5
Suitable for fire doors	Yes
Handing	Left / right handed
Closing speed	Variable between 180°-15° / EN5 = 125°-15°
Latching speed	Variable between 15°-0°
Backcheck	Variable above 75°
Weight	1.75 kg
Height	55 mm
Depth	43 mm
Length	206 mm
Certified in compliance with	EN 1154
CE marking for building products	Yes

The advantages at a glance

Customer segment	Advantages
Project planners	<ul style="list-style-type: none"> - Compact design - Modern design - Favourably priced, reliable closer model
Builders	<ul style="list-style-type: none"> - Quick and easy installation - Can be used for left and right-handed doors - Easy to adjust
Trade	<ul style="list-style-type: none"> - Inexpensive closer model for standard doors - All-inclusive package with door closer and link arm
User	<ul style="list-style-type: none"> - Largely unaffected by temperature fluctuations thanks to thermodynamic valves - Backcheck feature offers optimum protection for doors and walls

Our service for you: here you can see the individual advantages of our door closer models for your respective field of business.

You can find the complete specification on the internet at: www.assaabloy.de

Specifications for DC140

ASSA ABLOY Door Closer DC140 featuring rack and pinion technology in compliance with EN 1154

- Closing force configurable, EN size 2/3/4/5, for doors up to 1250 mm wide
- Closing speed, latching speed and backcheck continuously adjustable
- Suitable for fire and smoke protection doors
- CE approved
- Suitable for left and right handed doors

Accessories:

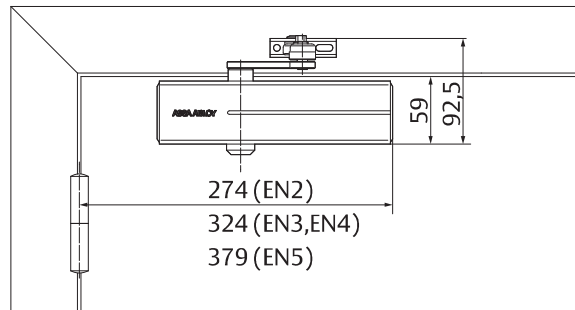
- Link arm L140
- Hold-open link arm L141 (not for fire and smoke protection doors)
- Guide rail G143 (not for fire and smoke protection doors)
- Parallel arm bracket A154
- Mounting Plate A161

Colour:

- Silver EV1
- White, similar to RAL9016
- Brown, similar to RAL8014
- Black, similar to RAL9005

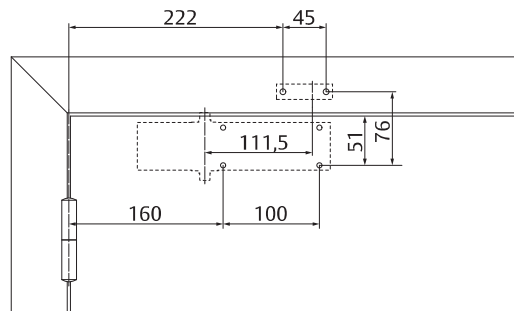
DC140

Dimensional drawings



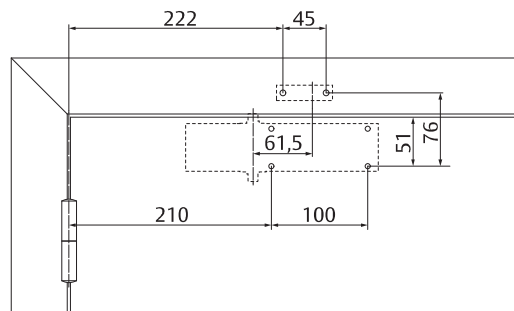
Required space on doors

Left handed shown in diagram
Right handed is the reverse



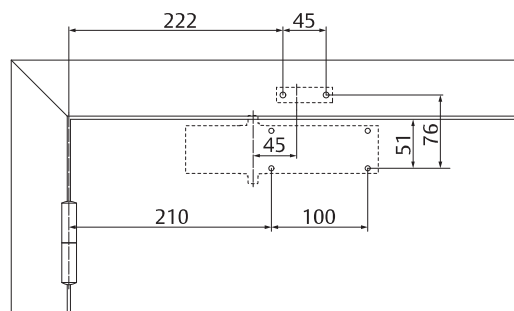
Installation dimensions

Installation dimensions
EN2



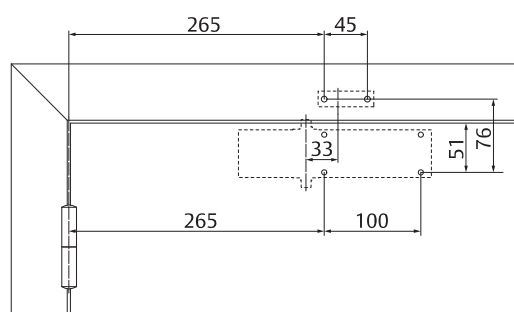
Installation dimensions

Installation dimensions
EN3



Installation dimensions

Installation dimensions
EN4

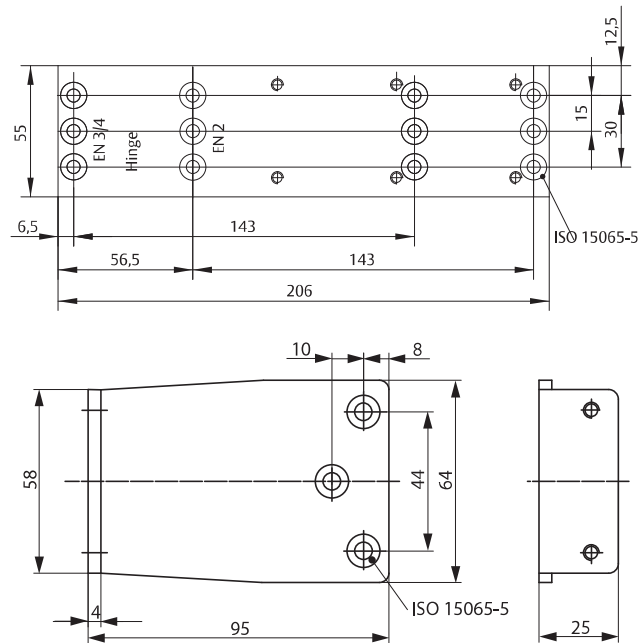


Installation dimensions

Installation dimensions
EN5

DC140

Accessories and order placement information



Mounting Plate A161

Parallel arm bracket A154

For Parallel Arm installation. Check suitability for use on fire and smoke protection doors.

Designation / Item	Order no.	Designation / Item	Order no.
DC140 EN size 2/3/4/5, silver EV1	DC140----DEV1-	Hold-open link arm L141, black, similar to RAL9005 (Cannot be used with fire and smoke protection doors)	DCL141-----9005
DC140 EN size 2/3/4/5, white, similar to RAL9016	DC140----D9016	Parallel arm bracket A154, silver EV1	DCA154-----EV1-
DC140 EN size 2/3/4/5, brown, similar to RAL8014	DC140----D8014	Parallel arm bracket A154, white, similar to RAL9016	DCA154-----9016
DC140 EN size 2/3/4/5, black, similar to RAL9005	DC140----D9005	Parallel arm bracket A154, brown, similar to RAL8014	DCA154-----8014
DC140 body EN size 2/3/4/5, silver EV1	DC140-0---DEV1-	Parallel arm bracket A154, black, similar to RAL9005	DCA154-----9005
DC140 body EN size 2/3/4/5, white, similar to RAL9016	DC140-0---D9016	Guide rail G143 (not for fire and smoke protection doors), silver EV1	DCG143-----EV1-
DC140 body EN size 2/3/4/5, brown, similar to RAL8014	DC140-0---D8014	Guide rail G143 (not for fire and smoke protection doors), white, similar to RAL9016	DCG143-----9016
DC140 body EN size 2/3/4/5, black, similar to RAL9005	DC140-0---D9005	Guide rail G143 (not for fire and smoke protection doors), black, similar to RAL9005	DCG143-----9005
Link arm L140, silver EV1	DCL140-----EV1-	Mounting Plate A161, silver EV1	DCA161-----EV1-
Link arm L140, white, similar to RAL9016	DCL140-----9016	Mounting Plate A161, white, similar to RAL9016	DCA161-----9016
Link arm L140, brown, similar to RAL8014	DCL140-----8014	Mounting Plate A161, brown, similar to RAL8014	DCA161-----8014
Link arm L140, black, similar to RAL9005	DCL140-----9005	Mounting Plate A161, black, similar to RAL9005	DCA161-----9005
Hold-open link arm L141, silver EV1 (Cannot be used with fire and smoke protection doors)	DCL141-----EV1-	Mounting plate A168, for link arm, silver EV1	DCA168-----EV1-
Hold-open link arm L141, white, similar to RAL9016 (Cannot be used with fire and smoke protection doors)	DCL141-----9016		
Hold-open link arm L141, brown, similar to RAL8014 (Cannot be used with fire and smoke protection doors)	DCL141-----8014		