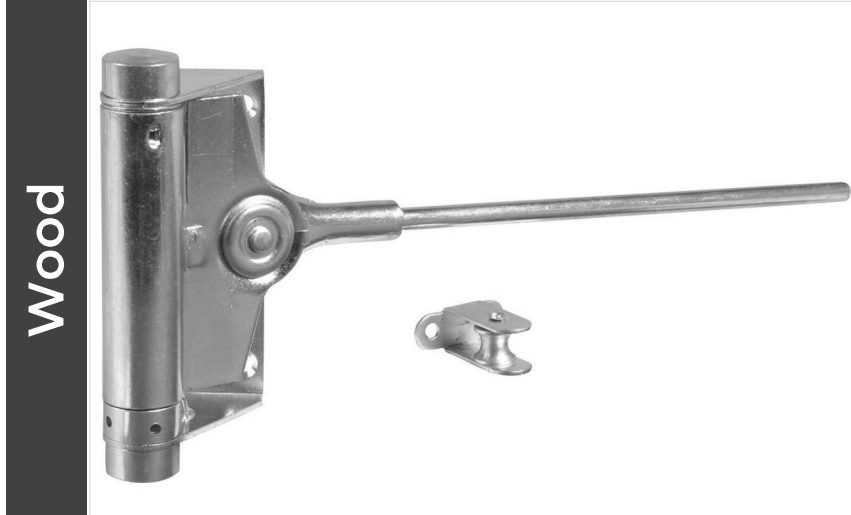




# TECHNICAL DATA SHEET

## ART. 091002



DIMENSION

**100mm**

DESCRIPTION:

**Spring Door Closer**

FINISHING:

**Galvanized Steel**

CATEGORY:

**Hinges**

MATERIAL:

**Body: Steel**

**Spring: Special Hardened Steel**

Spring Door Closer "Triumph" Type with central articulated arm and cylindrical knob. Suitable for middle heavy doors.

After fastening, when the door will be opened, the spring will drive the door until the closure.

for Doors
<b>Max 40Kg</b>
x1pc

The performances are intended for products correctly positioned, fixed, aligned and maintained in relation to the use, the positioning and the environmental conditions. The following factors can affect very much durability, performances and safety:

- The positioning and the alignment on an adequate support
- The correct mounting (screwing or welding) and regulation
- The regular lubrication, cleaning and maintenance (avoiding dirt, dust, rust, etc...)

I.B.F.M. suggest normal scheduled inspection, cleaning and maintenance of the products or eventually their substitution if damaged.

**All the declared characteristics and performances refer to a product correctly installed by qualified personnel and regularly inspected, maintained and lubricated. I.B.F.M. declines any liability for even partial modifications to the product.**

**The company I.B.F.M. hereby declares that the above items are produced in Italy in conformity with the existing norms in force.**

All pictures, technical drawings and related specifications are exclusive property of I.B.F.M. and they are defended by laws of copyright. Without the written agreement of I.B.F.M., all uses and reproductions will be legally prosecuted. I.B.F.M. reserve the right to make changes without notice and independently on product specifications and characteristics.



Signed for and on behalf of the manufacturer

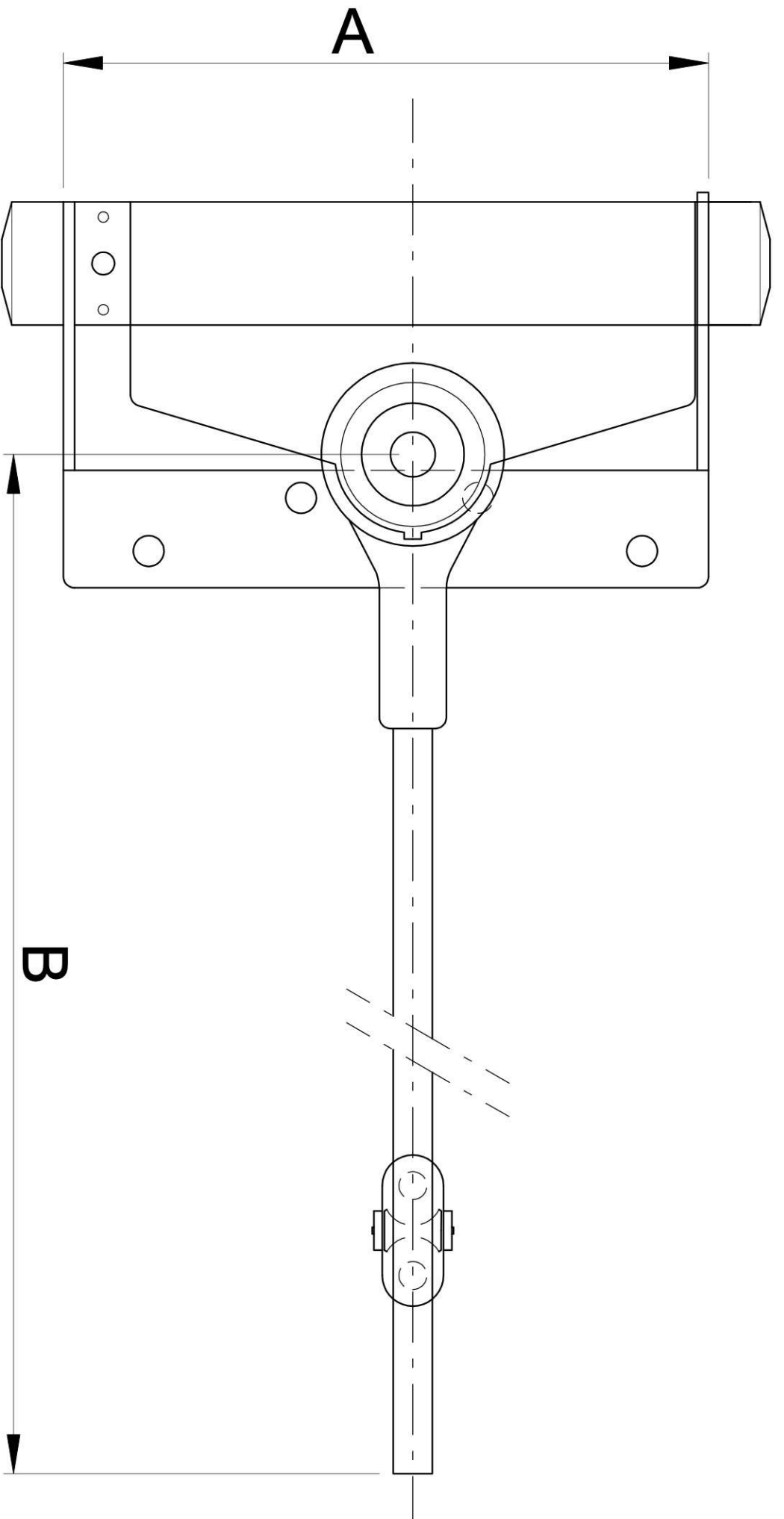
Desio, 13 aprile 2022



ISO 9001



Industria Briantea Ferramenta Minuterie  
Desio (MB) ITALY - www.ibfm.it



N°	1	2	3	4
A	75	100	125	150
B	240	240	240	300

ARTICOLO.	00091	REV.	0001
DESCRIZIONE	Molla da porta tipo "TRIUMPH"	UNITA	mm
PERCORSO	Disegni/Art.00091/Art.00091.dwg	SCALA	1:1
DISEGNATORE	M.C.	DATA	21/11/2016



20832 desio (MB) - Italy  
 Via Lavoratori Autohianchi,18  
 +39-0362-627078/624502  
 Fax +39-0362-302692  
 ibfm@ibfm.it

Proprietà esclusiva di IBFM, S.r.l. che si riserva tutti i diritti a termine di legge con divieto d'uso e riproduzione senza l'autorizzazione scritta da parte dell'azienda. IBFM, S.r.l. si riserva il diritto di proibire o limitare l'uso e la riproduzione senza l'autorizzazione scritta da parte dell'azienda. IBFM, S.r.l. which reserves all rights by law with the prohibition of use and reproduction without the written agreement of the company. IBFM, S.r.l. reserves the right to make changes without any notification and independently.