

modulo-push 601

TOUCH BAR PANIC EXIT DEVICE, 1 LOCKING POINT

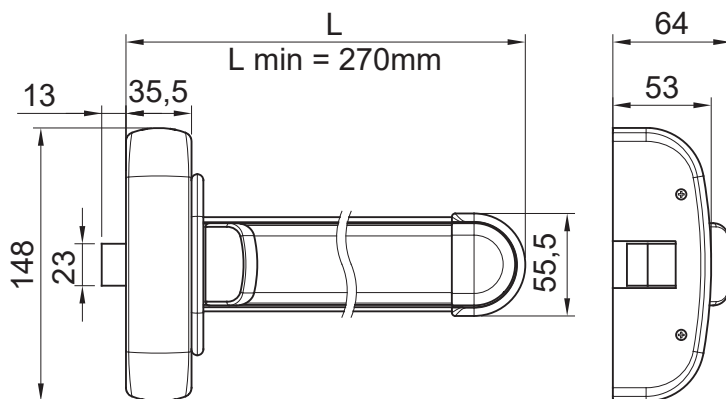


TECHNICAL FEATURES

Door Leaf	Single Leaf Door, Double Leaf Door: Only Active
Locking Points	Single Point
Handing	Reversible
Cover Material	Steel
Latch Material	Steel
Fire Resistant	Yes
Strike Type	Adjustable
Bar Lengths	840, 1170, 1300, 1500
Options Available on Request	Dogging, Micro on latch, Micro on bar, Micro on latch and bar
EN 1125:2008	377B1422BA

BENEFITS

- ▲ Achieved the highest requirements according to European Standard EN 1125
- ▲ Accessories available for installation on every kind of door: wood, metal, glass
- ▲ Can be trimmed up to 270mm length
- ▲ Aesthetically pleasing thanks to its contemporary design
- ▲ Available in a variety of colours



PRODUCT CODES

Product Code	Bar Length (mm)	Cover Finish
601/1/NN	840	Black RAL 9005
601/1/G6	840	Grey RAL 9006
601/1/BB	840	White RAL 9016
601/1/NR	840	Black RAL 9005, Red RAL 3020
601/1/NS	840	Black RAL 9005, Anodized Aluminium
601/1/NV	840	Black RAL 9005, Green RAL 6029
601/2/NN	1170	Black RAL 9005
601/2/G6	1170	Grey RAL 9006
601/2/BB	1170	White RAL 9016
601/2/NR	1170	Black RAL 9005, Red RAL 3020
601/2/NS	1170	Black RAL 9005, Anodized Aluminium
601/2/NV	1170	Black RAL 9005, Green RAL 6029
601/3/NN	1300	Black RAL 9005
601/3/G6	1300	Grey RAL 9006
601/3/BB	1300	White RAL 9016
601/3/NR	1300	Black RAL 9005, Red RAL 3020
601/3/NS	1300	Black RAL 9005, Anodized Aluminium
601/3/NV	1300	Black RAL 9005, Anodized Aluminium
601/4/BB	1500	White RAL 9016
601/4/G6	1500	Grey RAL 9006
601/4/GG	1500	Grey RAL 7040
601/4/NN	1500	Black RAL 9005
601/4/NR	1500	Black RAL 9005, Red RAL 3020
601/4/NS	1500	Black RAL 9005, Anodized Aluminium
601/4/NV	1500	Black RAL 9005, Anodized Aluminium